

Hustler® Parts Manual



HUSTLER®
TURF EQUIPMENT

200 South Ridge Road

Hesston, Kansas

67062



NOTICE OF REQUIREMENT OF SPARK ARRESTER MUFFLER

This equipment may create sparks that can start fires around dry vegetation. California Public Resources Code Section 4442.6 provides that it is unlawful to use or operate an internal combustion engine on any forest-covered, brush-covered, or grass-covered land unless the engine is equipped with a spark arrester maintained in effective working order. A spark arrester is a device constructed of nonflammable materials specifically for the purpose of removing and retaining carbon and other flammable particles over 0.0232 of an inch in size from the exhaust flow of an internal combustion engine that uses hydrocarbon fuels or which is qualified and rated by the United States Forest Service. Other states or federal areas may have similar laws. The Operator Should Contact Local Fire Agencies For Laws or Regulations Relating to Fire Prevention Requirements. **THIS EQUIPMENT DOES NOT HAVE A SPARK ARRESTER AND YOU SHOULD CONTACT YOUR AUTHORIZED DEALER FOR THE PURCHASE OF A SPARK ARRESTER.**

Inspect spark arrester daily; replace every 500 hours or as needed.

The Engine Owner's Manual provides information regarding the U.S. Environmental Protection Agency (EPA) and the California Emission Control Regulation of emission systems, maintenance and warranty.

Keep Engine Owner's Manual with your unit. Should the Engine Owner's Manual become damaged or illegible, replace immediately. Replacements may be ordered per the information found in the Product Information section of the owner's manual.

Federal law and California State law prohibit the following acts or the causing thereof:

1. The removal or rendering inoperative by any person other than for purposes of maintenance, repair, replacement, of any device or element of design incorporated into any equipment for the purposes of emissions control prior to or after its sales or delivery to the ultimate purchaser or while it is in use, or
2. The use of the equipment after such device or element of design has been removed or rendered inoperative by any person.

General Information	1
Frame & Engine Guard	
Frame	3-1
Engine Guard	3-2
Transmissions, Drive Belt, Steering & Brake	
Hydraulic System & Drive Belt	4-1
Transmission Service Parts	4-2
Steering	4-3
Steering Cover Assembly (Multi-Page)	4-4
Left Steering Box Assembly	4-5
Right Steering Box Assembly	4-6
Brake	4-7
Wheels & Tires	
Wheel & Tire	5-1
Front Wheel Assembly Breakdown	5-2
Drive Wheel Breakdown	5-3
Engine, Muffler, Clutch & Fuel System	
Engine & Muffler (Multi-Page)	6-1
Engine Service Parts	6-2
Fuel System	6-3
Fuel Tank Service Parts	6-4
Instrument Panel, Wire Harness & Battery	
Battery	7-1
Instrument Panel & Wire Harness	7-2
Deck, Deck Belt, Blades & Deck Lift	
Service Deck	8-1
Deck Pulleys & Spindles	8-2
Spindle Assembly Service Parts - 607407 & 607408	8-3
Deck, Discharge Chute, Belt, & Blades (Multi-Page)	8-4
Deck Lift & Deck Height (Multi-Page)	8-5
Seat & ROPS	
Seat	9-1
Seat Service Parts - 607458	9-2
ROPS	9-3

General Information

Note: When ordering parts, you must use the part number as shown for each part, not the index number. Always give the model and serial number to your parts and service representative.

Note: Items sold in bulk such as seals and hoses are sold by the foot.

Using This Manual

This manual is part of a service package for the Hustler® mowers. Use of this manual in conjunction with other Hustler® mower and component manuals will provide the information necessary to service and maintain Hustler® mowers.

This Parts Manual provides a complete parts listing for the unit. Use this manual when ordering parts. Illustrations used were current at the time of printing, but subsequent production changes may cause your machine to vary slightly in detail. Excel Industries, Inc. reserves the right to redesign and change the machine as deemed necessary, without notification. If a change has been made to your machine which is not reflected in this parts manual, see your authorized dealer for current information and parts.

The Service Manual is a service guide for use by Service Technicians. It provides the necessary information needed to perform normal maintenance requirements on these units.

The Operator's Manual provides fundamental operational information and operational safety that is needed when operating the mower.

The component manuals are furnished by the various manufacturers to be used for the troubleshooting and servicing of their products.

Hardware Description Codes & Abbreviations

The following codes are used throughout this parts manual. Refer to this list when ordering parts.

ABBREVIATION	DESCRIPTION	ABBREVIATION	DESCRIPTION
CB	CARRIAGE BOLT	MB	MACHINE BUSHING
CE	CLEVIS PIN	MS	MACHINE SCREW
CN	CLIP NUT	NT	NUT
CP	COTTER PIN	SC	SELF TAPPING CAP SCREW
CS	CAP SCREW	SH	SOCKET HEAD
CW	CUP WASHER	SB	SHOULDER BOLT
FDRW	FENDER WASHER	SS	SET SCREW
FW	FLAT WASHER	OD	OUTSIDE DIAMETER
HX	HEX HEAD	ID	INSIDE DIAMETER
LW	LOCK WASHER	WN	WELD NUT

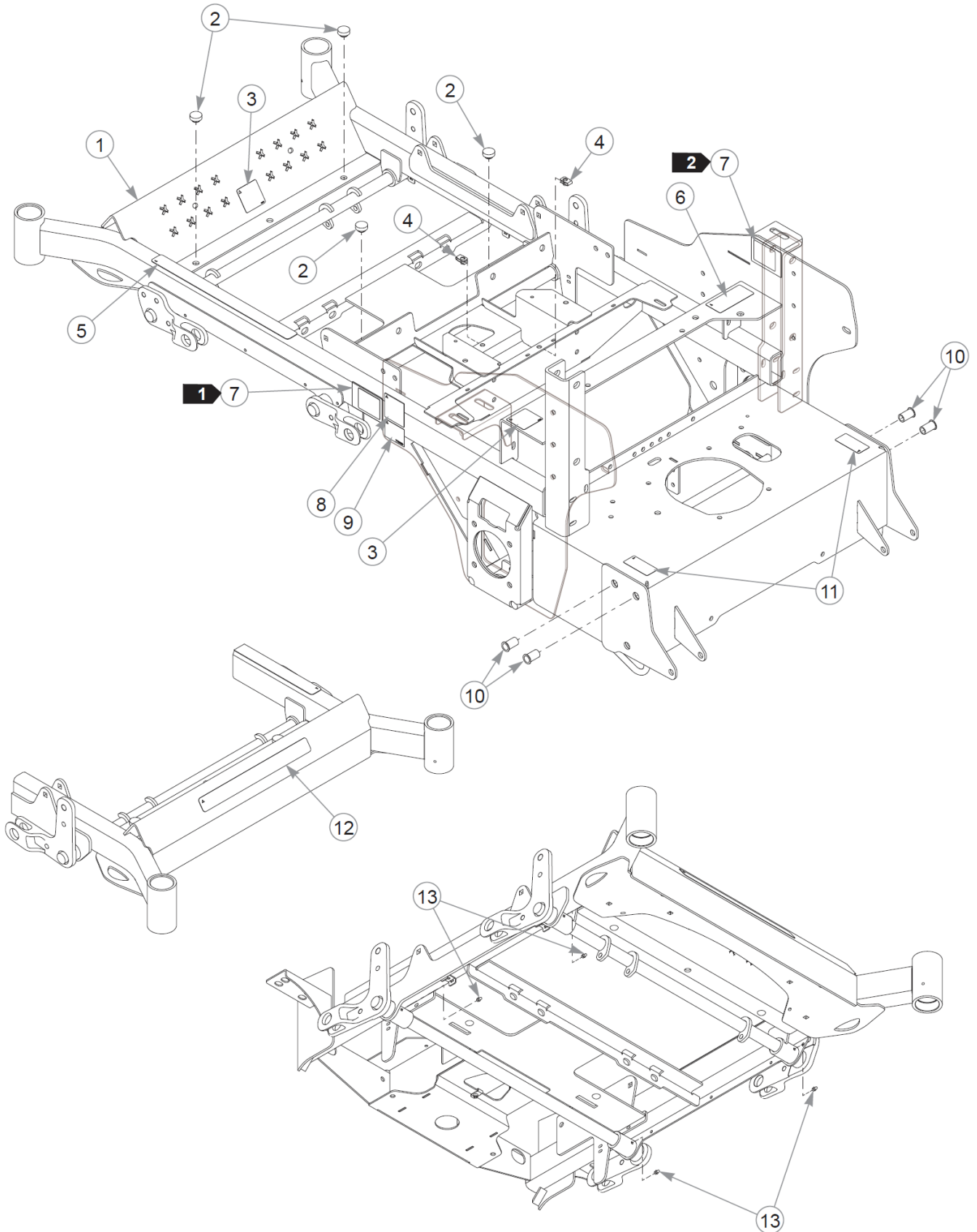
Standard Torques

The following chart lists the standard torque values for the threaded fasteners found in this manual. Torque all cap screws, nuts and set screws to these values unless a different torque is shown in the Notes section next to the fastener.

SIZE	FT-LBS	N•M	SIZE	FT-LBS	N•M
.250	8.2	11.1	M3	1	1.3
.312	17	23	M4	2.2	3
.375	30	40	M5	4.5	6.1
.438	48	65	M6	7.7	10.4
.500	73	99	M8	18.5	25
.562	105	143	M10	37	50
.625	145	200	M12	64	87
.750	260	350	M14	80	108.5
.875	420	565	M16	160	215
1.00	625	850	M20	320	435
			M24	555	750

This page intentionally left blank

Frame

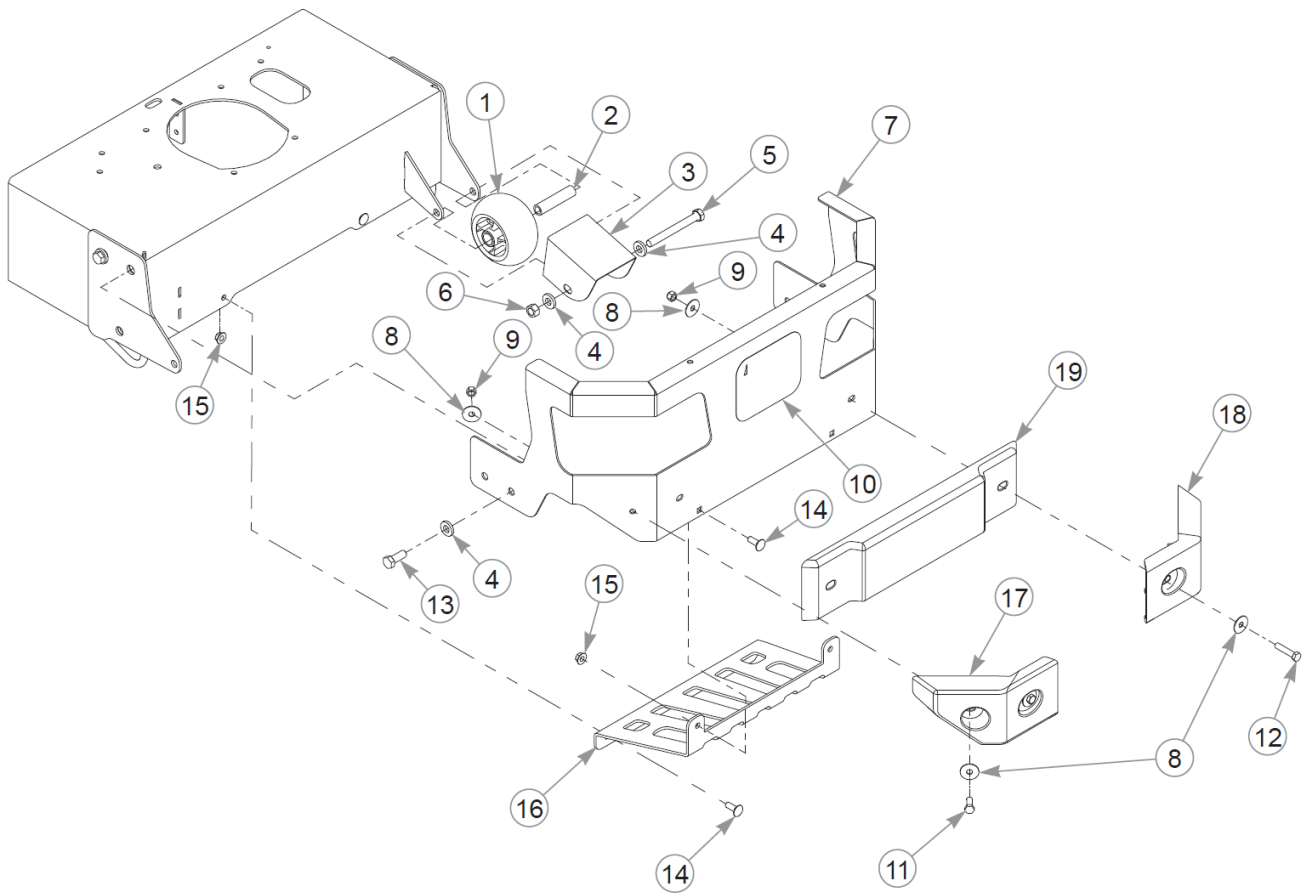


Frame

Item	Part No.	Qty	Name
1	554280	1	SVC FRAME
2	781880	4	BUMPER, .500x 1.00x .31
3	602562	2	DECAL, NO SERVICE
4	601982	2	CN .250-20X .150 MAX THK
5	601993	1	DECAL, SAFE OPERATION
6	601967	1	DECAL, ENGINE COMPART
7	N/A	2	SERIAL NUMBER / SPEC. DECAL
8	789776CE	1	DBA LIMIT DECAL
9	776310	1	DECAL, CE MARK
10	600961	4	RIVET NUT, 1/2-13 THREAD
11	602041	2	DECAL, HOT
12	602407	1	DECAL, HUSTLER ID
13	015495	4	GREASE FITTING STRAIGHT

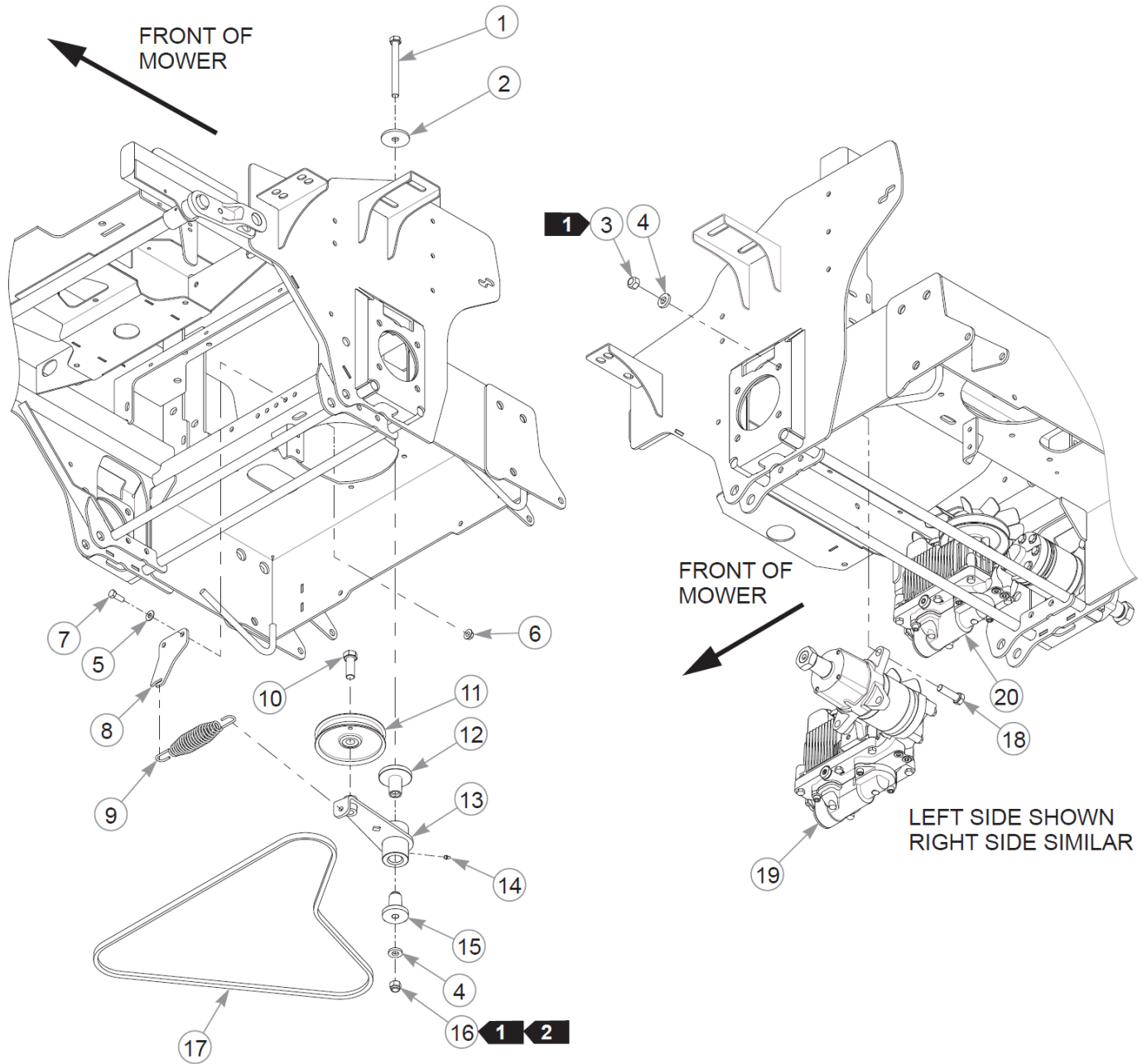
Comments for Page: Frame

1. Serial number decal. In the event the serial number decal becomes damaged or illegible, please contact your dealer to order a replacement.
2. EPA compliance decal (does not apply to mowers with serial numbers prior to 19010000).
2. The frame includes the decals and hardware.



Engine Guard

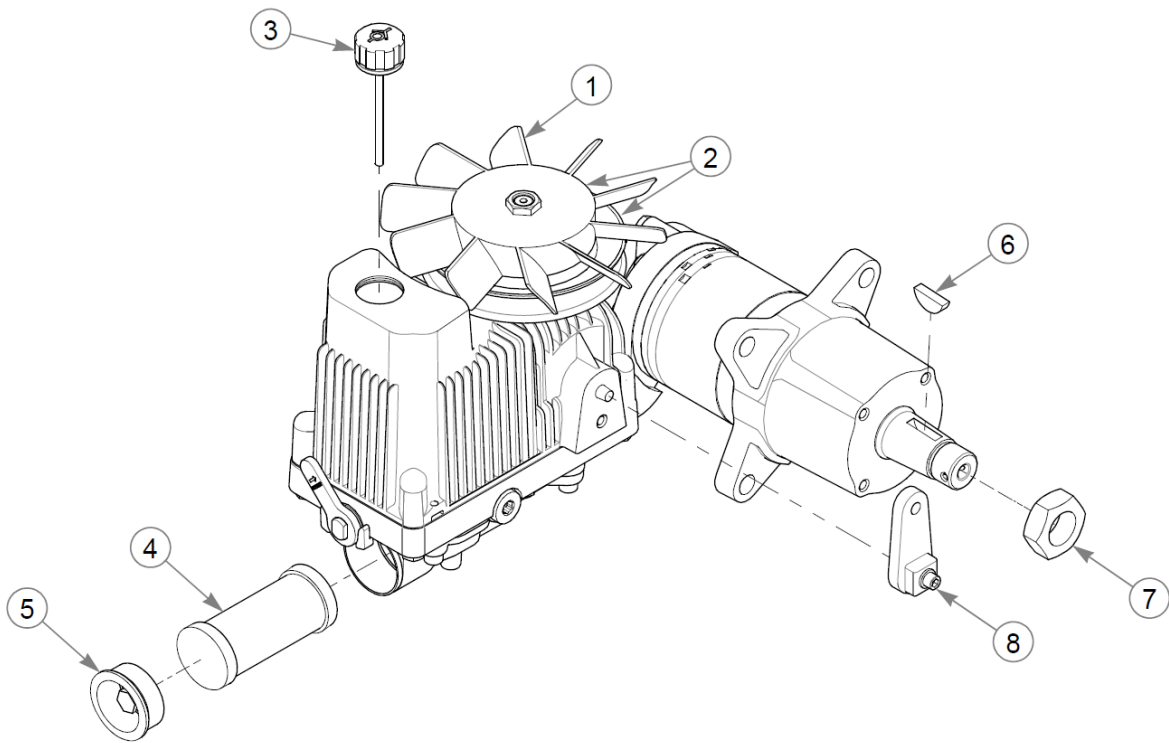
Item	Part No.	Qty	Name
1	602263	2	WHEEL, ANTI-SCALP
2	602345	2	SPACER, ANTI-SCALP 3.22
3	377994	2	HEAT SHIELD, MMZ ROLLER
4	767962	8	FW .531 x 1.063 x .175
5	068239	2	CS .500-13X4.500HXG5
6	008193	2	NT .500-13HXG5
7	554288	1	SVC, ENGINE GUARD X1
8	705137	8	FW 0.391X1.25X.06 ZY
9	086660	4	NT .375-16NLG8
10	606807	1	DECAL, H LOGO
11	036244	2	CS .375-16X1.00 HX G5 ZY
12	705178	2	CS .375-16X1.750HXG5
13	705954	4	CS .500-13X1.25 HX G5 ZY
14	025395	4	CB .375-16X 1.00 G5 ZNY
15	016899	4	NT .375-16HXG5
16	606483	1	MUFFLER GUARD
17	606658	1	PLASTIC BUMPER, LH
18	606659	1	PLASTIC BUMPER, RH
19	606657	1	PLASTIC BUMPER, CENTER



Item	Part No.	Qty	Name
1	051151	1	CS .500-13X5.000HXG5
2	344267	1	FW .510X2.15X.19 ZY
3	023317	8	NT .500-13UNTG8
4	767962	9	FW .531 x 1.063 x .175
5	767954	2	FW 0.379X.82X.06 HD ZY
6	016899	2	NT .375-16HXG5
7	036244	2	CS .375-16X1.00 HX G5 ZY
8	124432-1	1	IDLER SPRING MOUNT
9	781302	1	IDLER SPRING
10	025007	1	CS .62511X1.750HXG5
11	602304	1	PULLEY, 5" FLAT IDLER
12	602880	1	BUSHING, IDLER PIVOT
13	122905	1	TENSIONER W/A
14	015495	1	GREASE FITTING STRAIGHT
15	602879	1	BUSHING, IDLER PIVOT
16	781567	1	NT .500-13NLG5
17	606411	1	DRIVE BELT
18	017616	8	CS .500-13X1.750HXG5
19	606401	1	TRANSMISSION, PARKER HTJ
20	606402	1	TRANSMISSION, PARKER HTJ

Comments for Page: Hydraulic System & Drive Belt

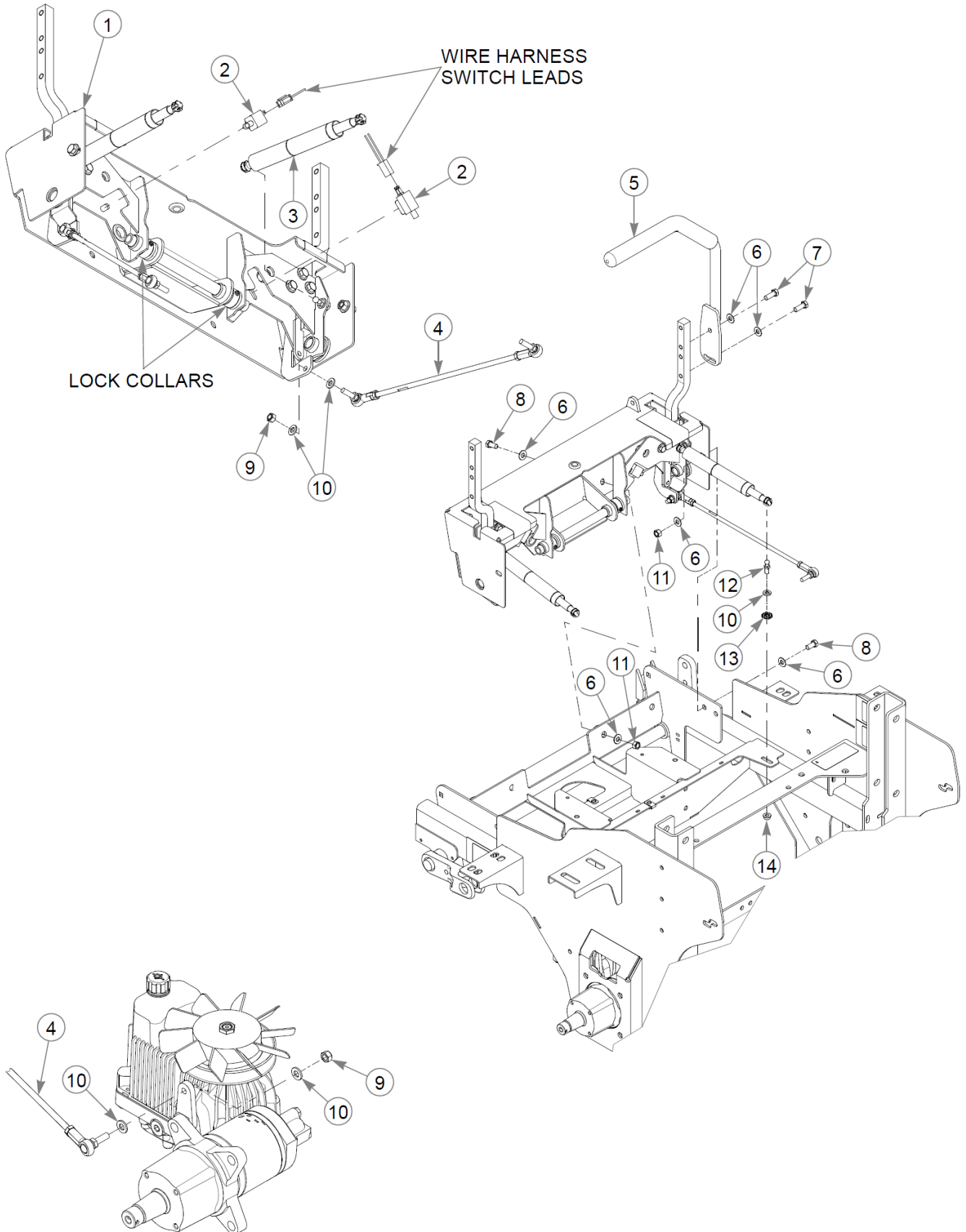
1. Torque to 96–102 N•m.
2. The tensioner should pivot freely.
3. Left side transmission.
4. Right side transmission.



Transmission Service Parts

52" X-ONE Parts Manual - 936740CE - HTX1TS052KAWFX850VC

Item	Part No.	Qty	Name
1	607509	1	SERVICE KIT, FAN
2	604132	1	SERVICE KIT, FAN/PULLEY
3	604131	1	RESERVIOR CAP
4	604126	1	HYDRAULIC OIL FILTER
5	604130	1	PLUG & O-RING ASSEMBLY
6	064337	1	ROSS WOODRUFF KEY
7	065516	1	ROSS NUT
8	606461	1	CONTROL LEVER PARKER

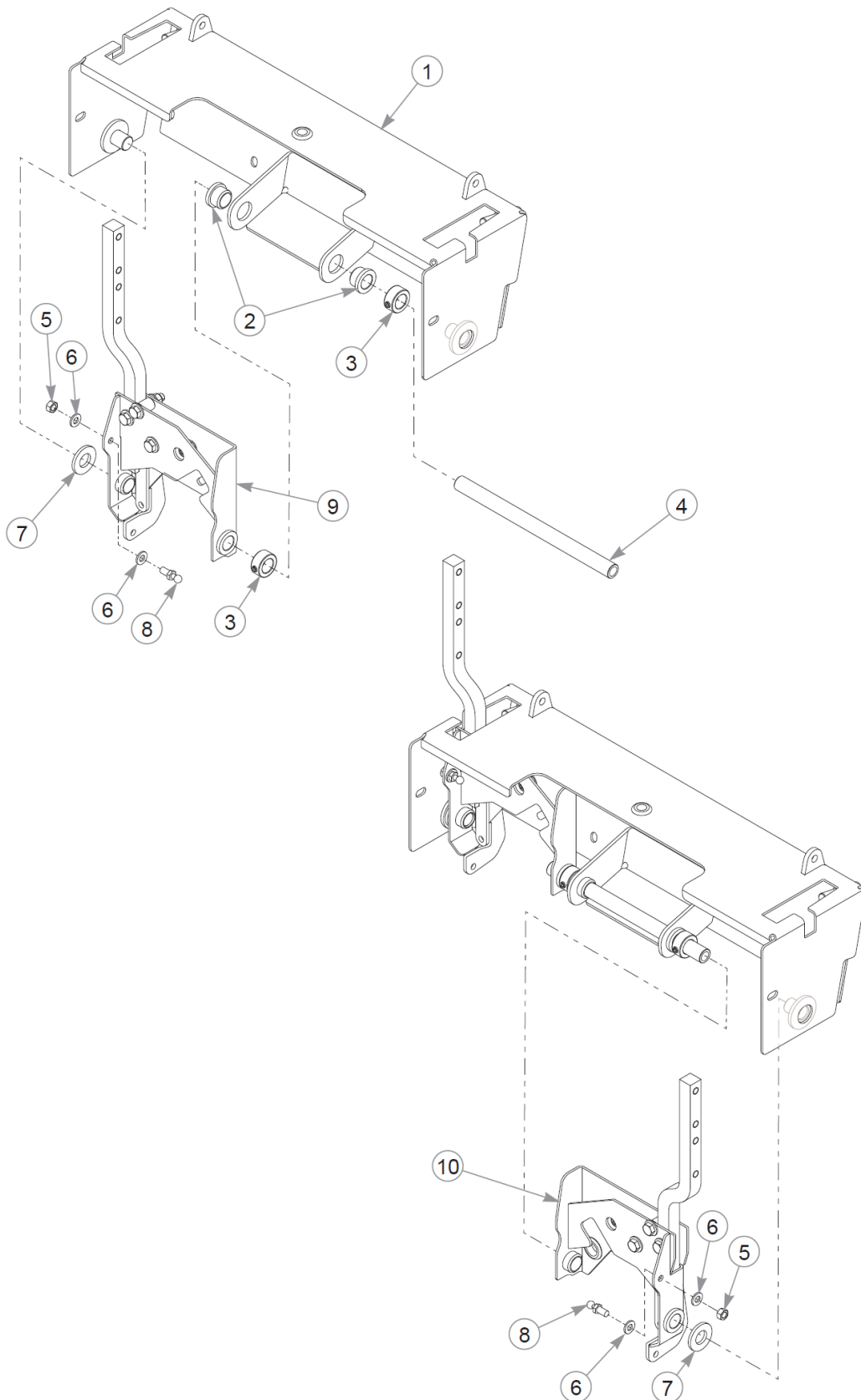


Steering

Item	Part No.	Qty	Name
1	N/A	1	STEERING COVER ASSEMBLY
2	601087	2	SWITCH, PLUNGER N.O.
3	795351	2	DAMPER, CENTERING
4	606521	2	PUMP ROD ASSEMBLY
5	605924	2	STEERING BAR W/A
Not Shown	781260	2	GRIP, STEERING BAR
6	767954	12	FW 0.379X.82X.06 HD ZY
7	036244	4	CS .375-16X1.00 HX G5 ZY
8	055822	4	CS .375-16X0.75 HX G5 ZY
9	023655	4	NT 0.312-24 NL G8
10	768523	10	FW 0.343SAE
11	054502	4	NT .375-16HXG5
12	781922	2	BALL STUD
13	029876	2	LW .312 INTEXT ZY
14	016832	2	NT .312-18FLKG5

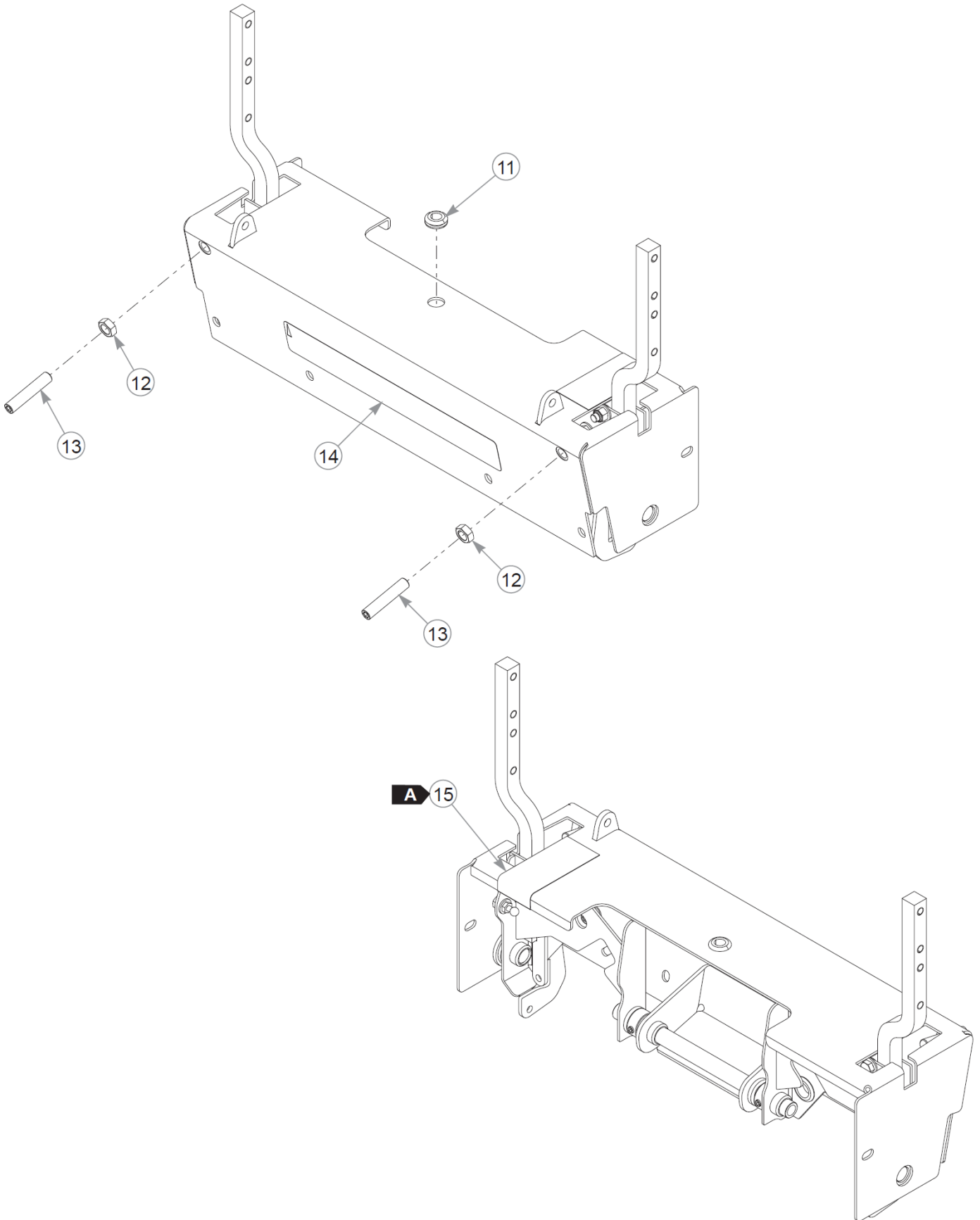
Comments for Page: Steering

1. The steering handle includes the grip.



Steering Cover Assembly (Multi-Page)

Item	Part No.	Qty	Name
1	553839	1	SVC, STEERING COVER - X1
2	781153	2	BUSHING, UHMW
3	784439	2	LOCK COLLAR,0.757 ID(FS)
4	113007	1	STEER PIVOT TUBE, SZ
5	034272	2	NT .312-18HXG5
6	768523	4	FW 0.343SAE
7	603078	2	FW .750X1.50X.16 ZY
8	781922	2	BALL STUD
9	606511	1	STEERING BOX SUB, LH
10	606510	1	STEERING BOX SUB, RH
11	080358	1	GM .50X1.00X.75X.12
12	053199	2	NT .500-13JAMG5
13	603055	2	SS .500-13X 2.50 SH ZNYC
14	605087	1	DECAL, X-ONE
15	722199	5.5"	POLYURETHANE 2" (FS)



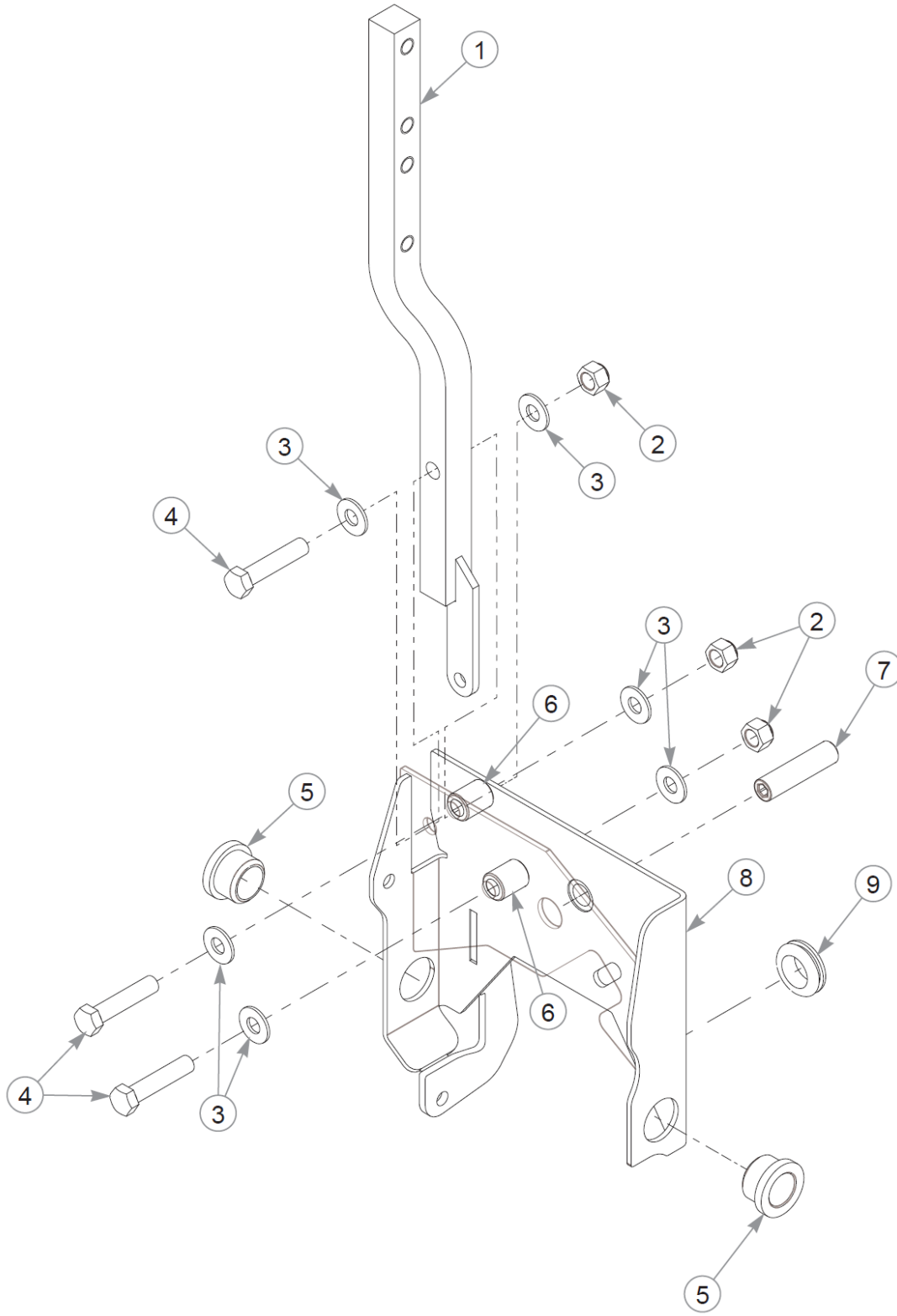
Steering Cover Assembly (Multi-Page)

52" X-ONE Parts Manual - 936740CE - HTX1TS052KAWFX850VC

Comments for Page: Steering Cover Assembly (Multi-Page)

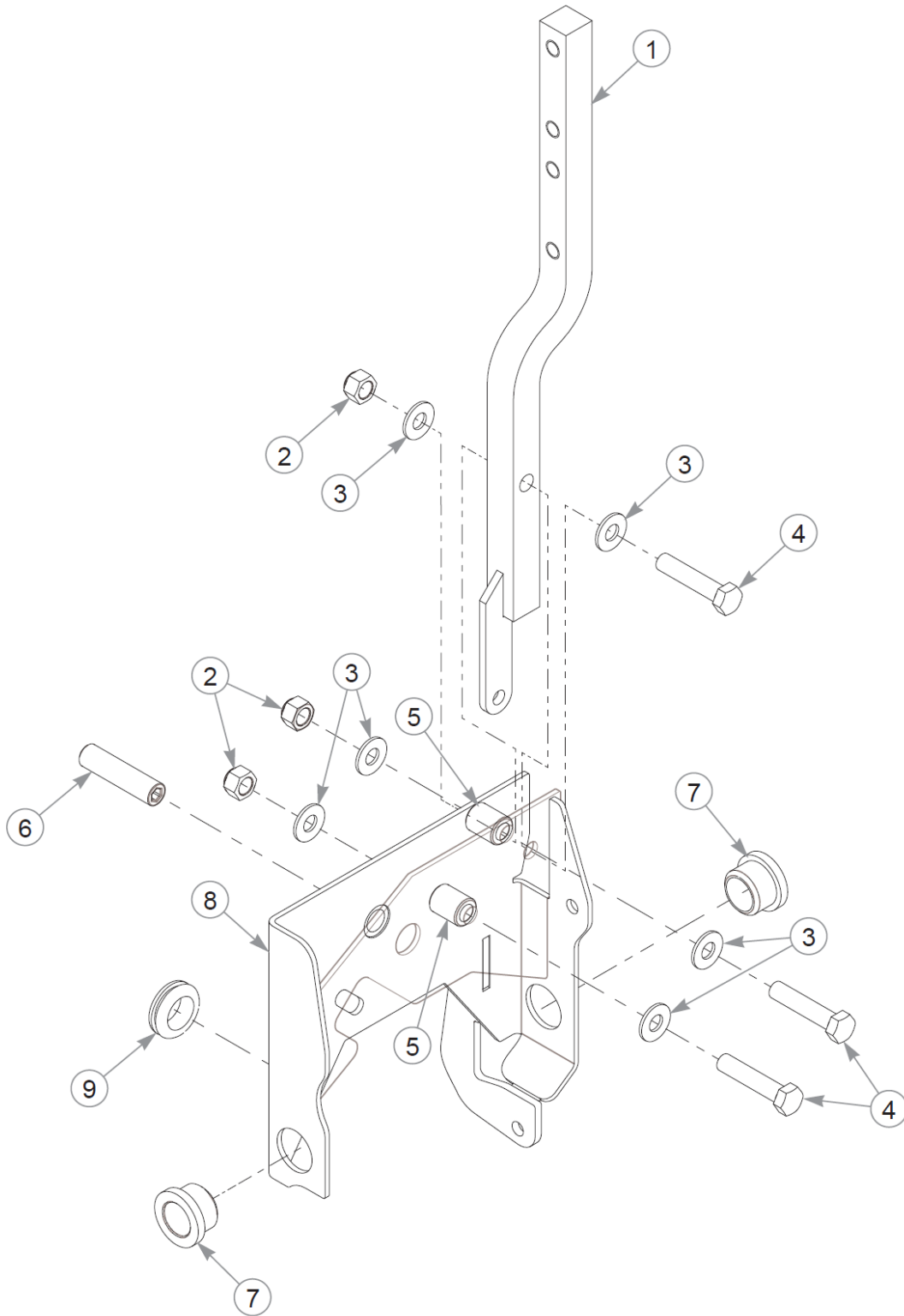
WEAR TAPE LENGTHA: 5.5" ± 0.3"

Left Steering Box Assembly



Left Steering Box Assembly

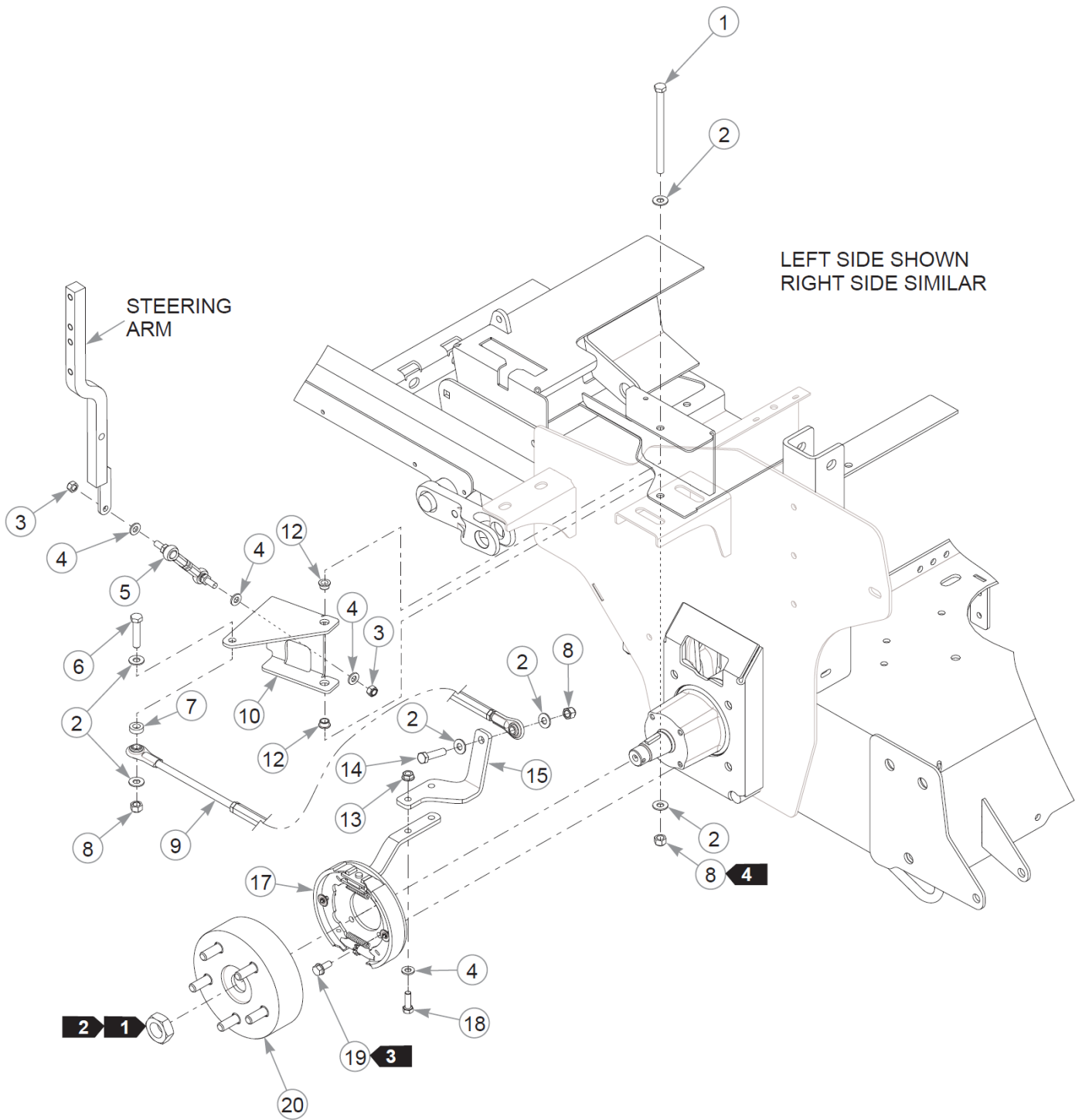
Item	Part No.	Qty	Name
1	NSS	2	STEERING ARM W/A
2	086660	3	NT .375-16NLG8
3	767954	6	FW 0.379X.82X.06 HD ZY
4	705178	3	CS .375-16X1.750HXG5
5	781153	2	BUSHING, UHMW
6	348862	2	STEERLEVER BUSHING (PLA
7	797738	1	SS .500-13X2.000SH
8	123305	1	STEERING BOX W/A, LH
9	047456	1	GM .750X.188X1.00X.12



Right Steering Box Assembly

52" X-ONE Parts Manual - 936740CE - HTX1TS052KAWFX850VC

Item	Part No.	Qty	Name
1	NSS	1	STEERING ARM W/A
2	086660	3	NT .375-16NLG8
3	767954	6	FW 0.379X.82X.06 HD ZY
4	705178	3	CS .375-16X1.750HXG5
5	348862	2	STEERLEVER BUSHING (PLA
6	797738	1	SS .500-13X2.000SH
7	781153	2	BUSHING, UHMW
8	123306	1	STEERING BOX W/A, RH
9	047456	1	GM .750X.188X1.00X.12

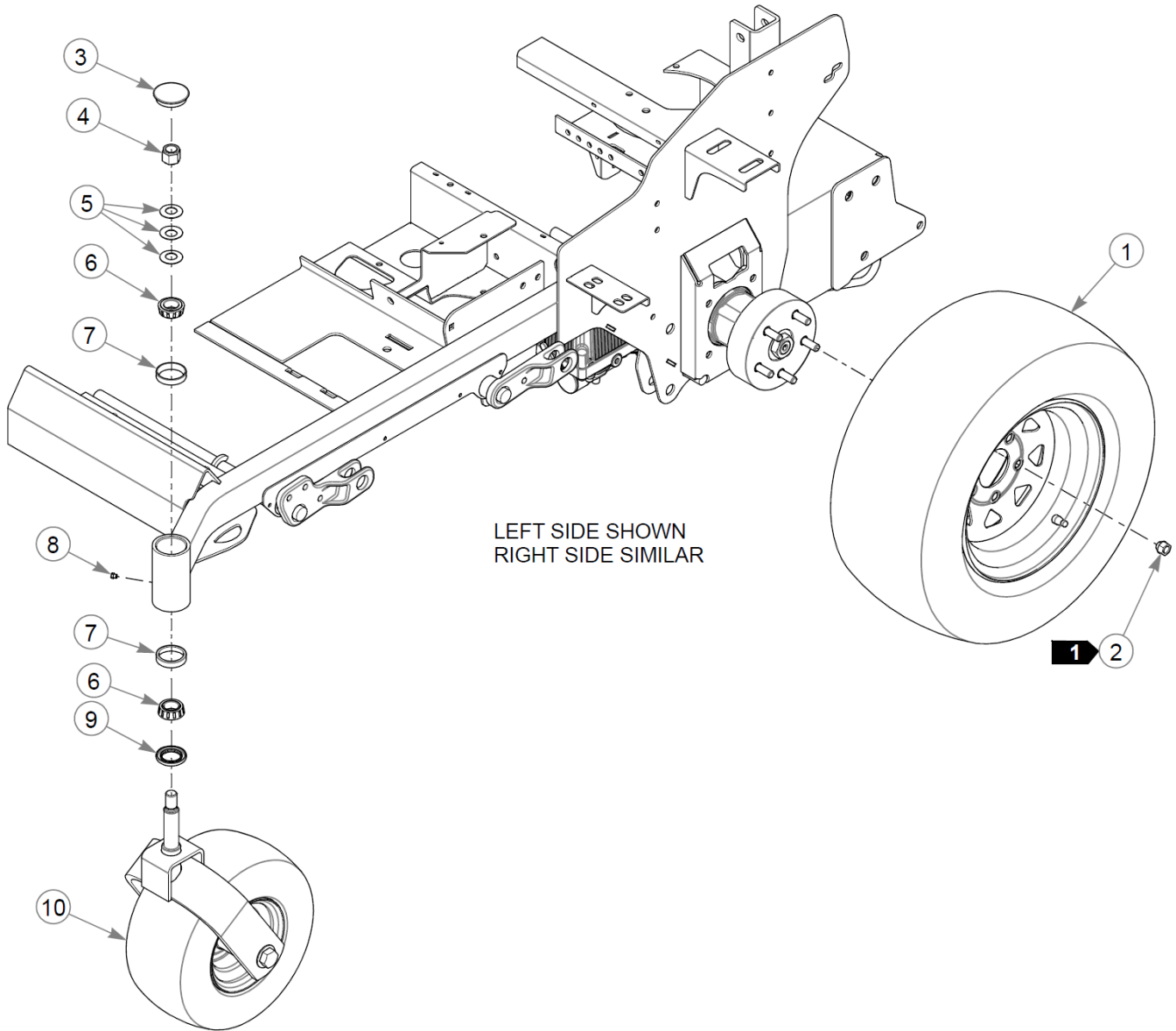


Brake

Item	Part No.	Qty	Name
1	748913	2	CS .375-16x5.50 GR5 ZN
2	767954	12	FW 0.379X.82X.06 HD ZY
3	023655	4	NT 0.312-24 NL G8
4	768523	10	FW 0.343SAE
5	781583	2	BRAKE ROD ASSEMBLY
6	705178	2	CS .375-16X1.750HXG5
7	073858	2	FW .406X .750X.250 ZNYC
8	086660	6	NT .375-16NLG8
9	350397	2	BRAKE LINK TURNBUCKLE A
10	123435	1	BELLCRANK, BRAKE - LH
11	123434	1	BELLCRANK, BRAKE - RH
12	765339	4	BUSHING,IGUS#0608 (FS)
13	016832	4	NT .312-18FLKG5
14	080655	2	CS .375-16X1.500HXG5
15	123432	1	BRAKE ARM, LH
16	123433	1	BRAKE ARM, RH
17	602383	2	BRAKE ASSY, PARKER
18	036236	4	CS .312-18X1.000HXG5
19	604461	8	CS .312-18X.75HXG8 FL
20	602384	2	HUB ASSY, PARKER
21	601085	10	STUD, WHEEL LUG 1/2-20

Comments for Page: Brake

1. Included with the wheel motor.
2. Torque to 271 N•m.
3. Torque to 34–38 N•m.
4. Do not torque; the nut should be snug but allow the brake bellcrank to pivot freely.
5. The hub assembly includes the studs.

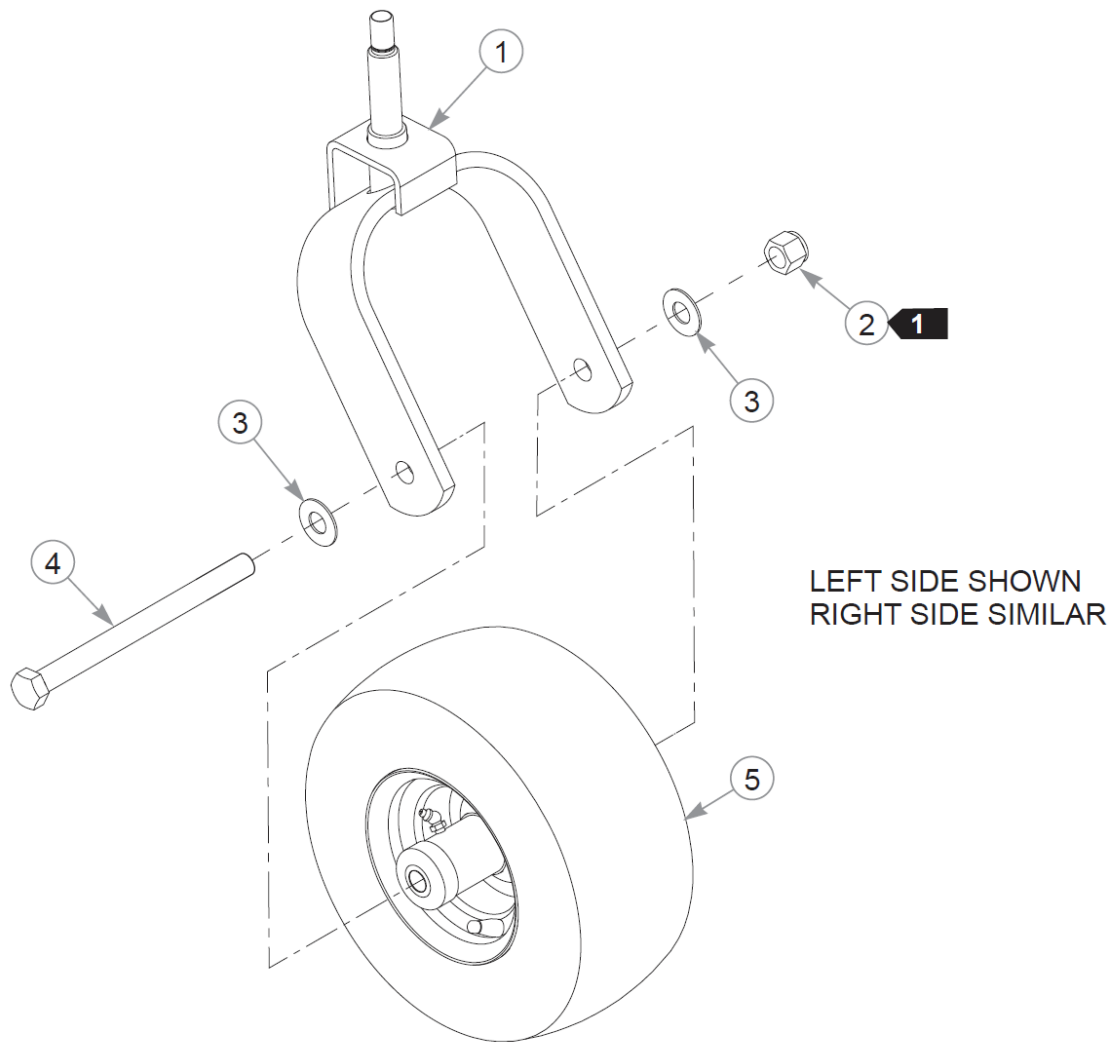
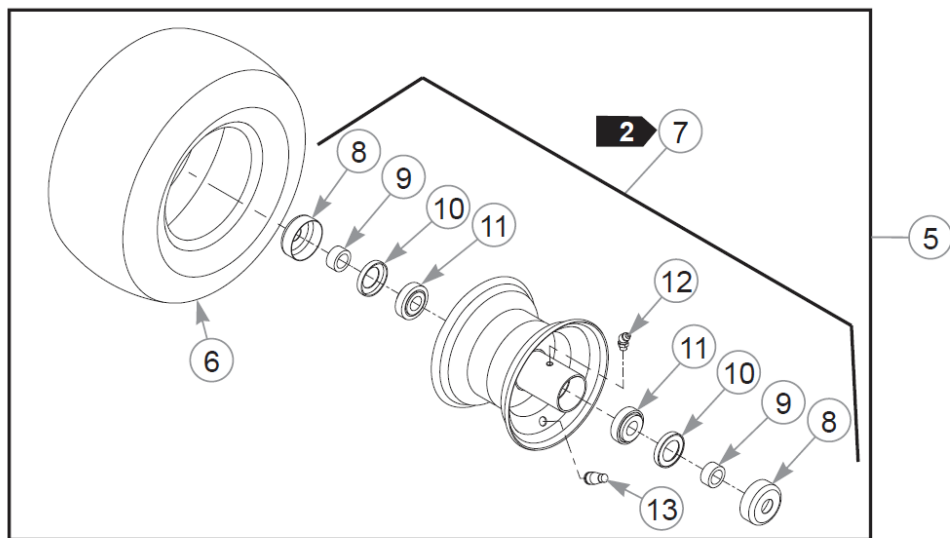


Wheel & Tire

Item	Part No.	Qty	Name
1	604106	2	TIR/WHL 24X9.50-12 SLV
2	061077	10	WHEEL NUT
3	606711	2	DUST CAP
4	061101	2	NT .750-10 HX ZY NL GR B
5	606715	6	CW 0.766 X 1.50 X .093
6	606712	4	BEARING, TAPERED ROLLER
7	606713	4	RACE, TAPERED ROLLER
8	606817	2	GREASE PLUG
9	606714	2	SEAL, 1.25 X 1.98
10	N/A	2	FRONT TIRE S/A

Comments for Page: Wheel & Tire

1. Torque to 88–102 N•m.

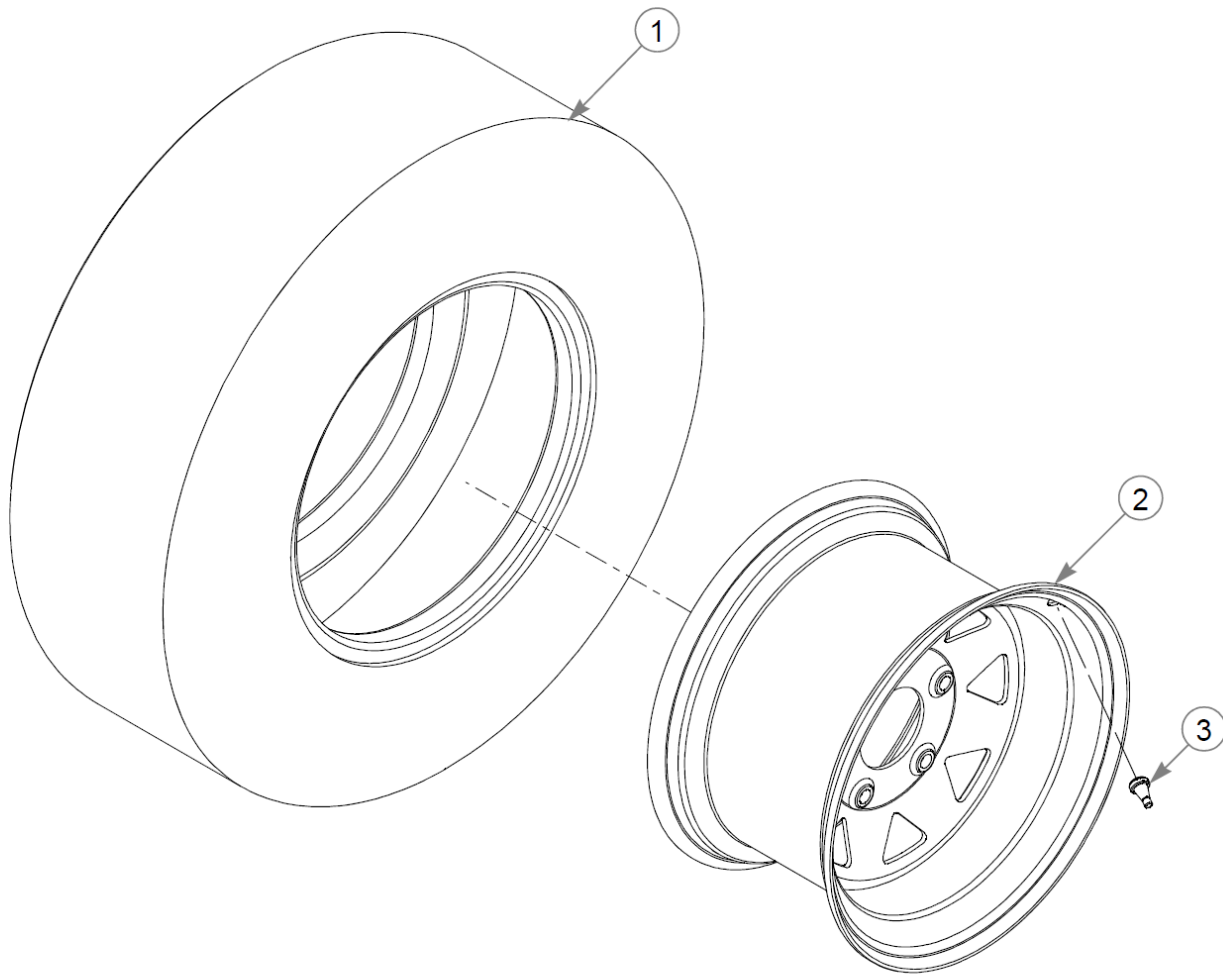


Front Wheel Assembly Breakdown

Item	Part No.	Qty	Name
1	123644-1	1	W/A, CASTER FORK
2	061101	1	NT .750-10 HX ZY NL GR B
3	025296	2	FW .760X1.63X0.08 ZY
4	041475	1	CS .750-10X9.50 HX G5 ZY
5	606744	1	TIR/WHL 13X6.50-6 SLV
6	604843	1	TIR 13X6.50-6 B4R SMTH
7	606751	1	WHL 6X4.50 SLV
8	606815	2	DUST CAP, 0.752 ID
9	606778	2	SPACER, 0.531
10	606780	2	SEAL
11	606753	2	BEARING, TAPERED ROLLER
12	606126	1	GREASE FITTING, M8X1.0
13	019521	1	TIRE VALVE TR-412 GOODY

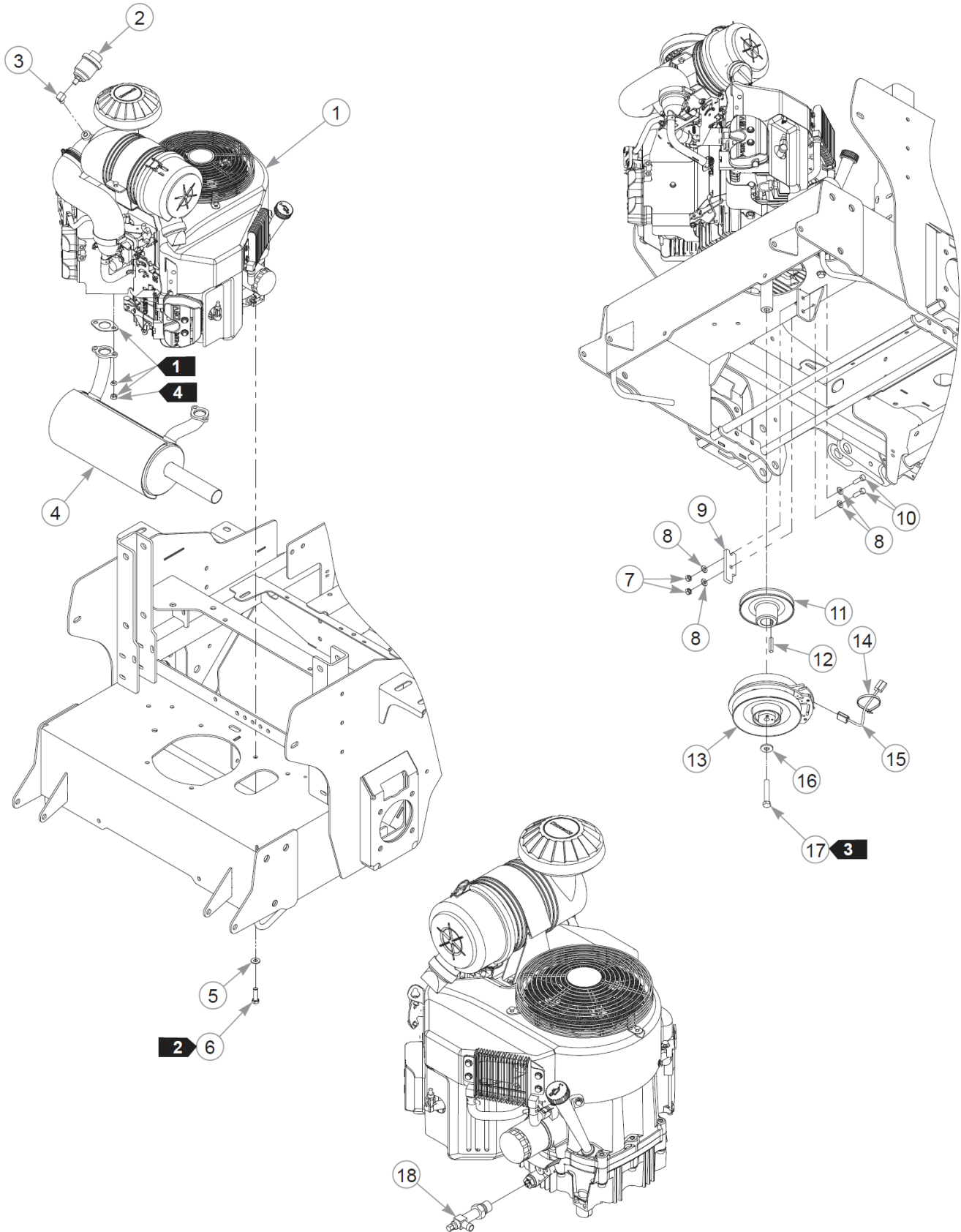
Comments for Page: Front Wheel Assembly Breakdown

1. Tighten, then back off the nut until the wheel spins freely.
2. Refer to the General Service Manual for wheel bearing service procedures.



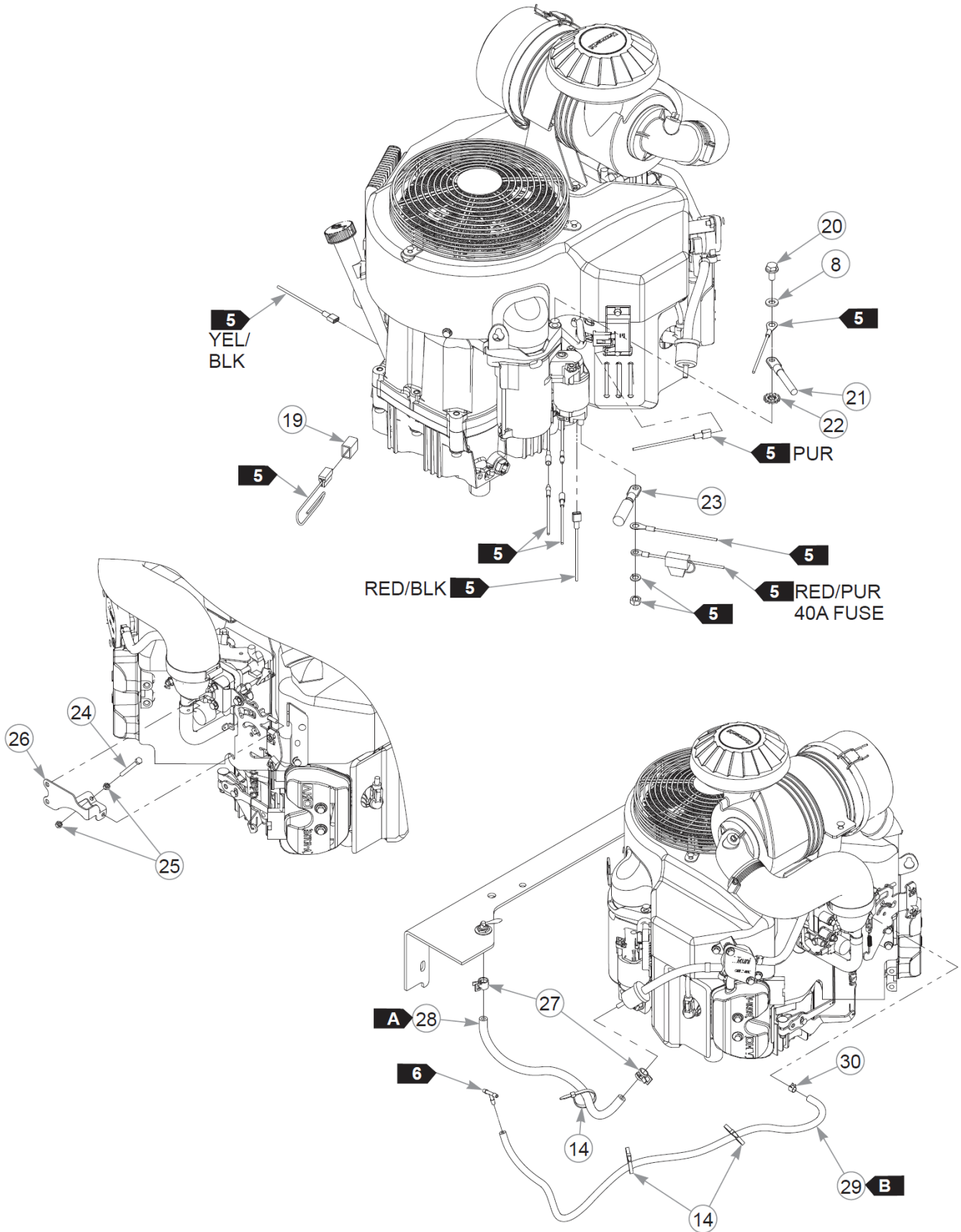
Drive Wheel Breakdown

Item	Part No.	Qty	Name
1	782284	1	TIR 24X9.50-12 B4R LTFT
2	604107	1	WHL 12X7.00 5X4.5 SLV
3	019521	1	TIRE VALVE TR-412 GOODY



Engine & Muffler (Multi-Page)

Item	Part No.	Qty	Name
1		1	ENGINE, KAW FX850V
2	788943	1	AIR FILTER INDICATOR
3	601216	1	FTG, ELBOW, STREET
4	603012	1	MUFFLER, FX850V
5	767954	4	FW 0.379X.82X.06 HD ZY
6	602580	4	CS .375-16X1.25HXG8ZYP85
7	034272	2	NT .312-18HXG5
8	768523	5	FW 0.343SAE
9	113946	1	CLUTCH ANCHOR
10	036236	2	CS .312-18X1.000HXG5
11	606471	1	PULLEY, ENG 5.318 OP
12	212076	1	KEY 1/4 SQ X 1.50 LG(FS)
13	606404K	1	CLUTCH KIT
14	000331	4	WIRE TIE, SMALL/SHORT
15	791251	1	HARNES, CLUTCH PIGTAIL
<p>Comments for Part Num. 791251</p> <p>Pigtail was updated with epoxy to hold the wires steady. The wire sheath was also updated to a more flexible material.</p>			
16	602680	1	FW .453X1.12X.12 HRD ZY
17	785659	1	CS .437-20X2.50 HXG5 P85
18	796524	1	VALVE,OIL DRAIN M20x2.5
19	789131	1	CAP, HUSTLRZ FAN CON(FS)
20	720516	1	CS M8-1.25X16HX FL10.9
21	796219	1	BATTERY CABLE,NEG 36" D
22	029876	1	LW .312 INTEXT ZY
23	744276	1	BATTERY CABLE POSITIVE
24	603524	1	CS M5-0.8 X 50 MM
25	048934	2	NT M5-0.8 HX GRD 8.8 ZN
26	120231	1	BRACKET, THROTTLE FX850V
27	000323	2	CLIP, HOSE CLAMP
28	015818	42 cm	FUEL LINE, 1/4"
<p>Comments for Part Num. 015818</p> <p>Sold by the foot.</p>			
29	603326	81 cm	VAPOR LINE, 3/16"



Item	Part No.	Qty	Name
Comments for Part Num. 603326			
Sold by the foot.			
30	603112	1	CLAMP, 3/16 FUEL

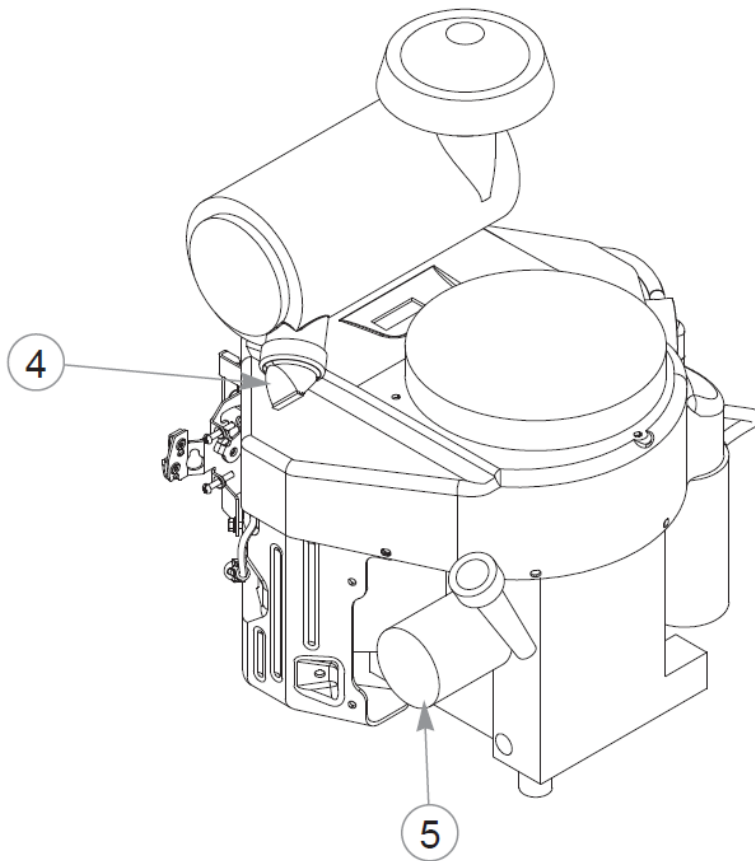
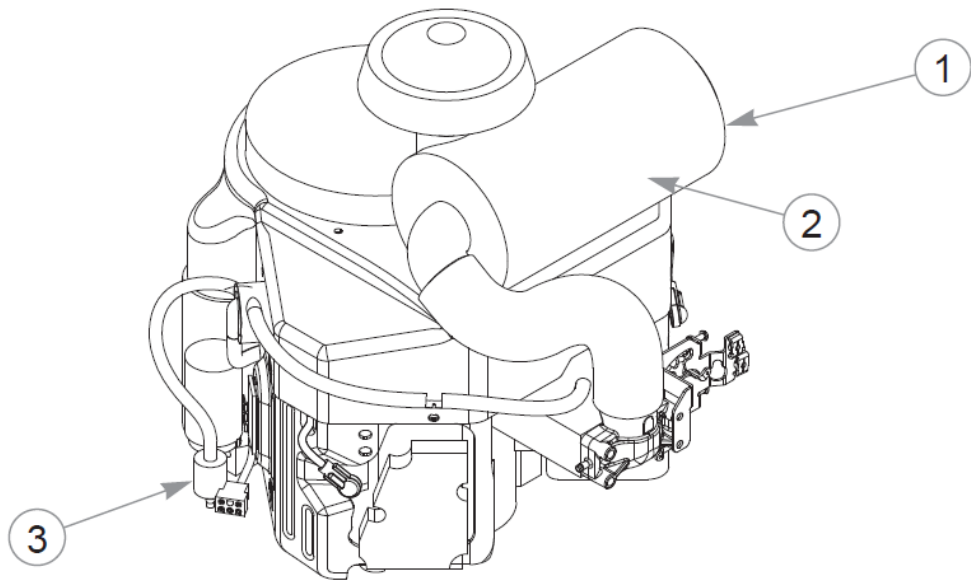
Comments for Page: Engine & Muffler (Multi-Page)

1. Supplied with the engine.
2. Torque to 41 N•m. Replace (do not reuse) the cap screw if it is removed or loosened. Use only hand tools to install this fastener.
3. Torque to 61–65 N•m. Replace (do not reuse) the cap screw if it is removed or loosened.
4. Torque to 23 N•m.
5. Part of the wire harness.
6. Part of the Fuel Assembly.

FUEL & VAPOR LINE LENGTHS

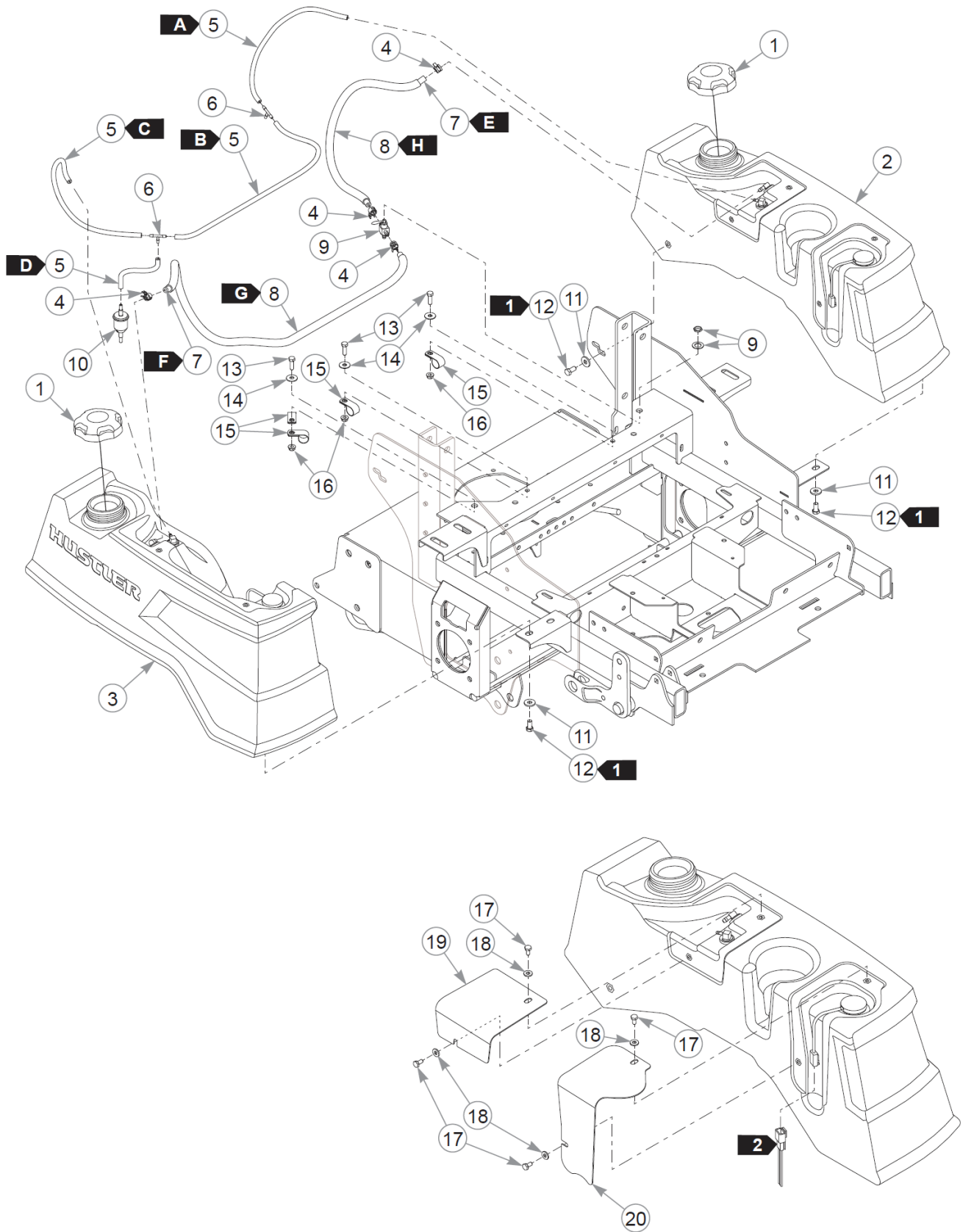
A: 42 cm VALVE TO ENGINE (FUEL)

B: 81 cm TEE TO ENGINE (VAPOR)



Engine Service Parts

Item	Part No.	Qty	Name
1	785261	1	AIR FILTER - MAIN
2	785279	1	AIR FILTER - SAFETY
3	068478	1	FUEL FILTER - IN LINE
4	763318	1	VALVE, VACUATOR (SERV P
5	603138	1	ENGINE OIL FILTER



Fuel System

Item	Part No.	Qty	Name
1	603807	2	CAP, 3.5" RATCHETING GAS
2	606434	1	TANK, FENDER LH ASSY
3	606433	1	TANK, FENDER RH ASSY
4	000323	4	CLIP, HOSE CLAMP
5	603326	182 cm	VAPOR LINE, 3/16"
Comments for Part Num. 603326 Sold by the foot.			
6	604281	2	TEE, 3/16" PLASTIC
7	015818	170 cm	FUEL LINE, 1/4"
Comments for Part Num. 015818 Sold by the foot.			
8	605215	165 cm	FUEL LINE THERMAL SHIELD
Comments for Part Num. 605215 Sold by the foot.			
9	745059	1	FUEL VALVE 3-WAY
10	604323	1	FILTER, VAPOR SYSTEM
11	712919	10	FW 0.406X1.00X.12 HD ZY
12	055822	10	CS .375-16X0.75 HX G5 ZY
13	036236	3	CS .312-18X1.000HXG5
14	079210	3	FW 0.344X1.0X0.06 ZY
15	043570	4	CLIP - HOSE - SINGLE(FS)
16	016832	3	NT .312-18FLKG5
17	055947	4	CS .250-20X0.50 HX G5 ZY
18	768515	4	FW 0.281SAE
19	123182	1	COVER, FUEL LINES
20	123181	1	COVER, FUEL SENDER
21	000331	2	WIRE TIE, SMALL/SHORT

Comments for Page: Fuel System

FUEL & VAPOR LINE LENGTHS

- A: 48 cm LEFT TANK TO TEE (VAPOR)
- B: 61 cm TEE TO TEE (VAPOR)
- C: 56 cm RIGHT TANK TO TEE (VAPOR)

Fuel System

D: 17 cm TEE TO FILTER (VAPOR)

E: 58 cm LEFT TANK TO VALVE (FUEL)

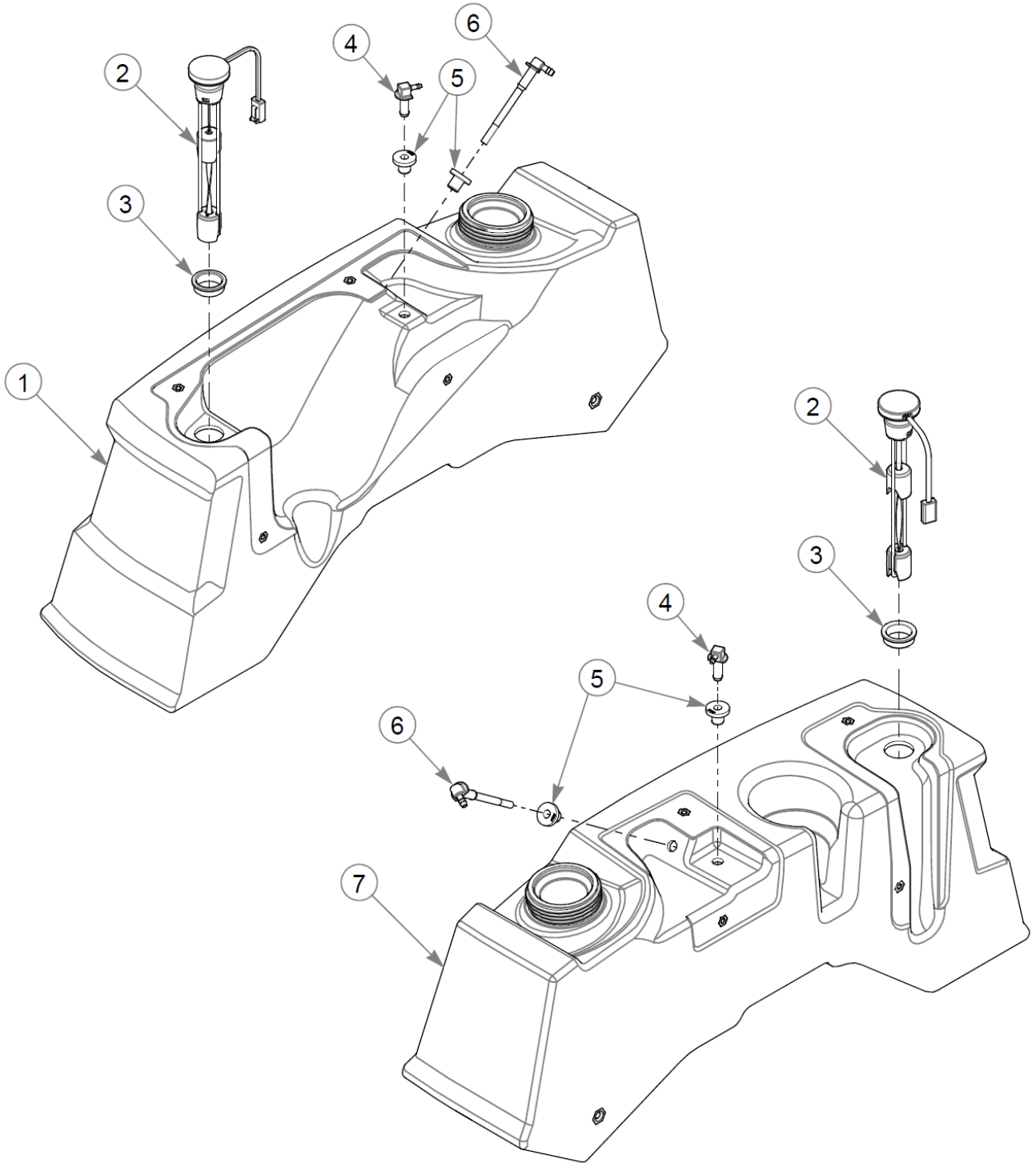
F: 112 cm RIGHT TANK TO VALVE (FUEL)

G: 109 cm FUEL LINE THERMAL SHIELD

H: 56 cm FUEL LINE THERMAL SHIELD

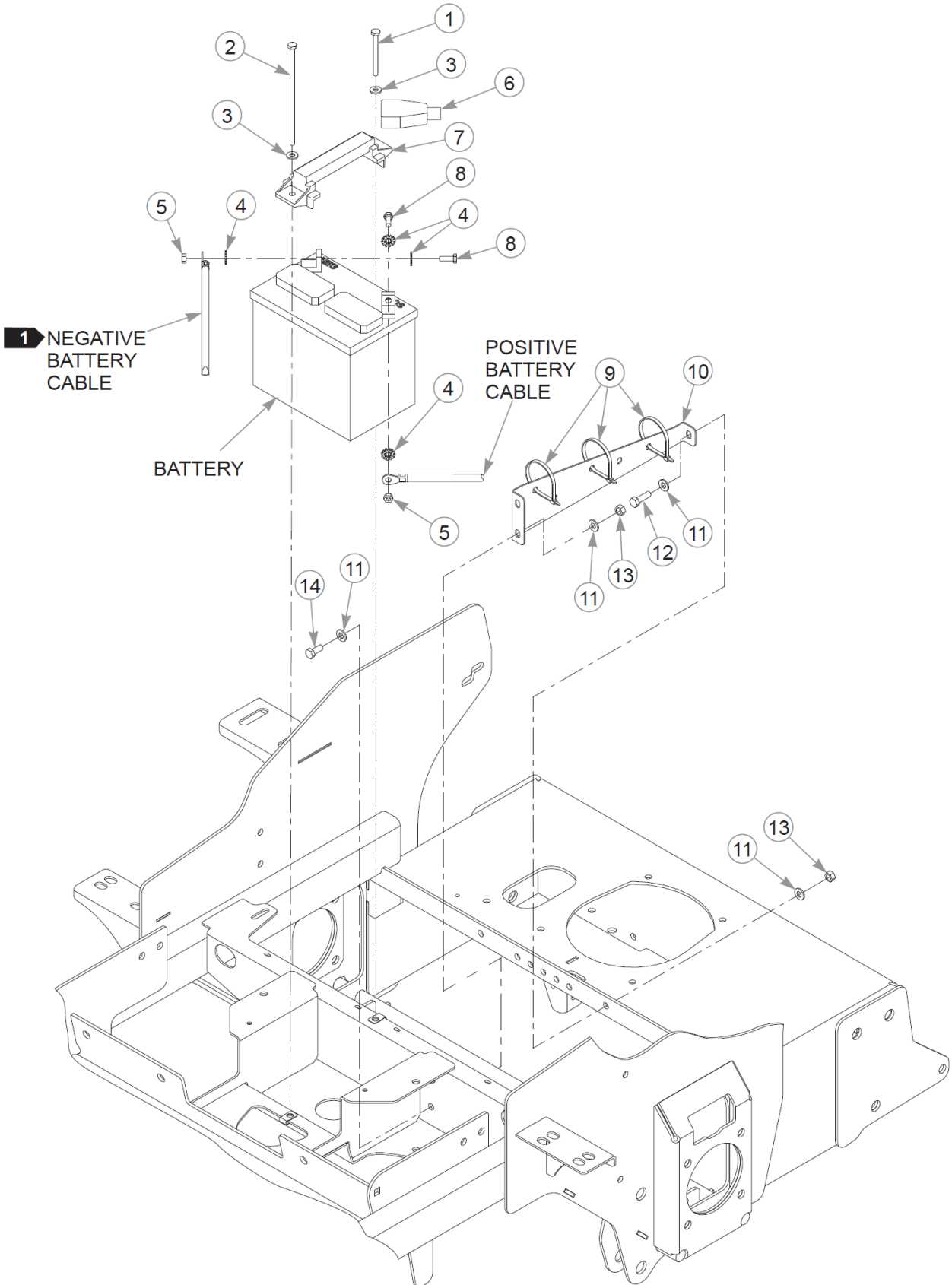
1. Torque to 22 N•m.
2. Part of the wire harness.

This page intentionally left blank



Fuel Tank Service Parts

Item	Part No.	Qty	Name
1	606433	1	TANK, FENDER RH ASSY
2	603888K	2	SVC KIT, FUEL SENDER
3	605648K	2	SVC KIT, TANK GROMMET
4	604287K	2	SVC KIT, VENT FITTING
5	604200K	4	SVC KIT, GROMMET
6	605159K	2	SVC KIT, SUCTION HOSE
7	606434	1	TANK, FENDER LH ASSY

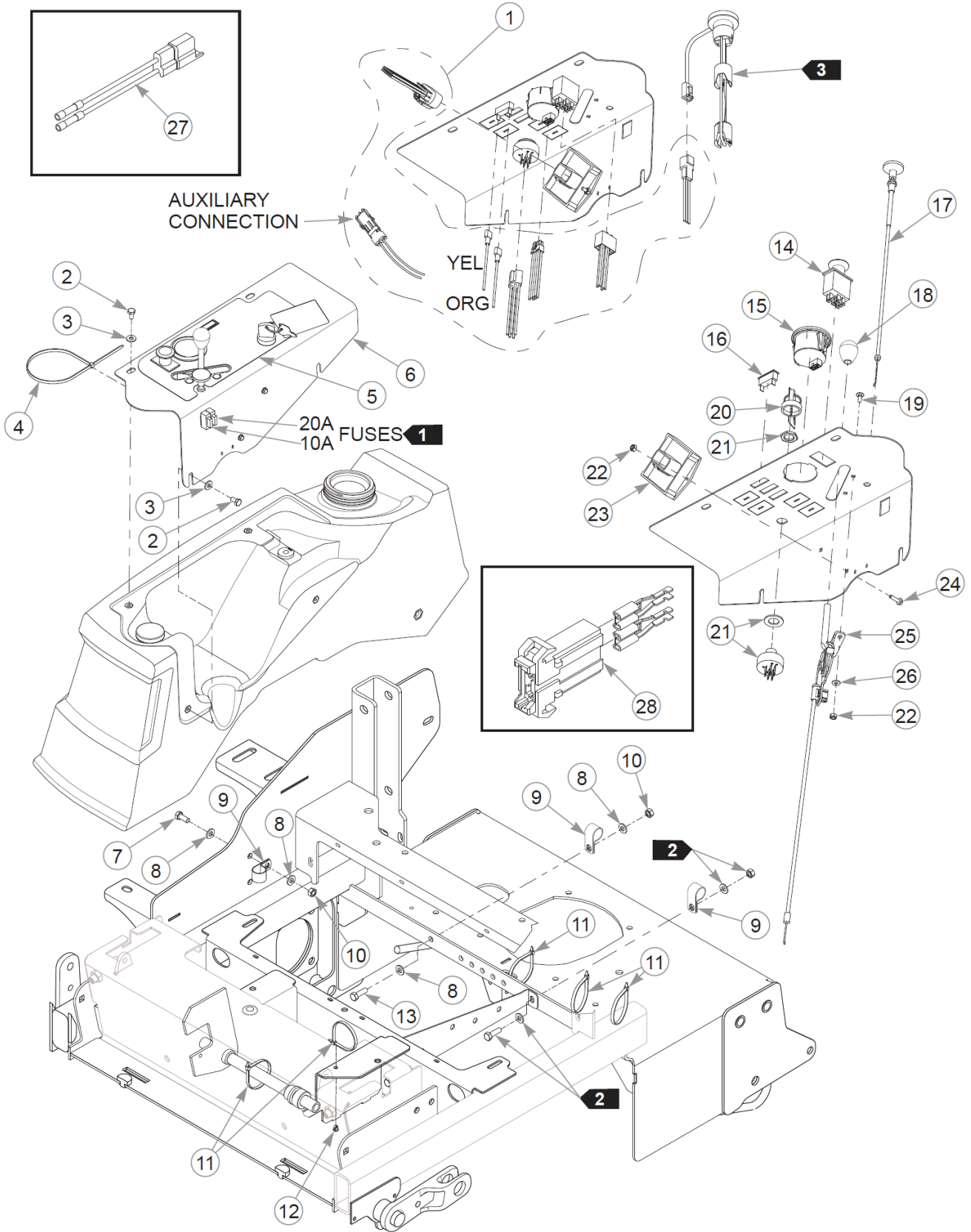


Battery

Item	Part No.	Qty	Name
1	794156	1	CS .250-20X2.750HXG5
2	601930	1	CS .250-20 X 6.50 HX G5
3	768515	2	FW 0.281SAE
4	029868	4	LW .250 INTEXT ZY
5	024927	2	NT .250-20HXG5
6	771428	1	BATTERY CBL BOOT-RED(FS)
7	604178	1	STRAP, TIE DOWN
8	055939	2	CS .250-20X0.75 HX G5 ZY
9	000331	4	WIRE TIE, SMALL/SHORT
10	124384-1	1	SUPPORT, CABLE
11	768523	6	FW 0.343SAE
12	036236	1	CS .312-18X1.000HXG5
13	034272	3	NT .312-18HXG5
14	034280	2	CS .312-18X0.750HXG5

Comments for Page: Battery

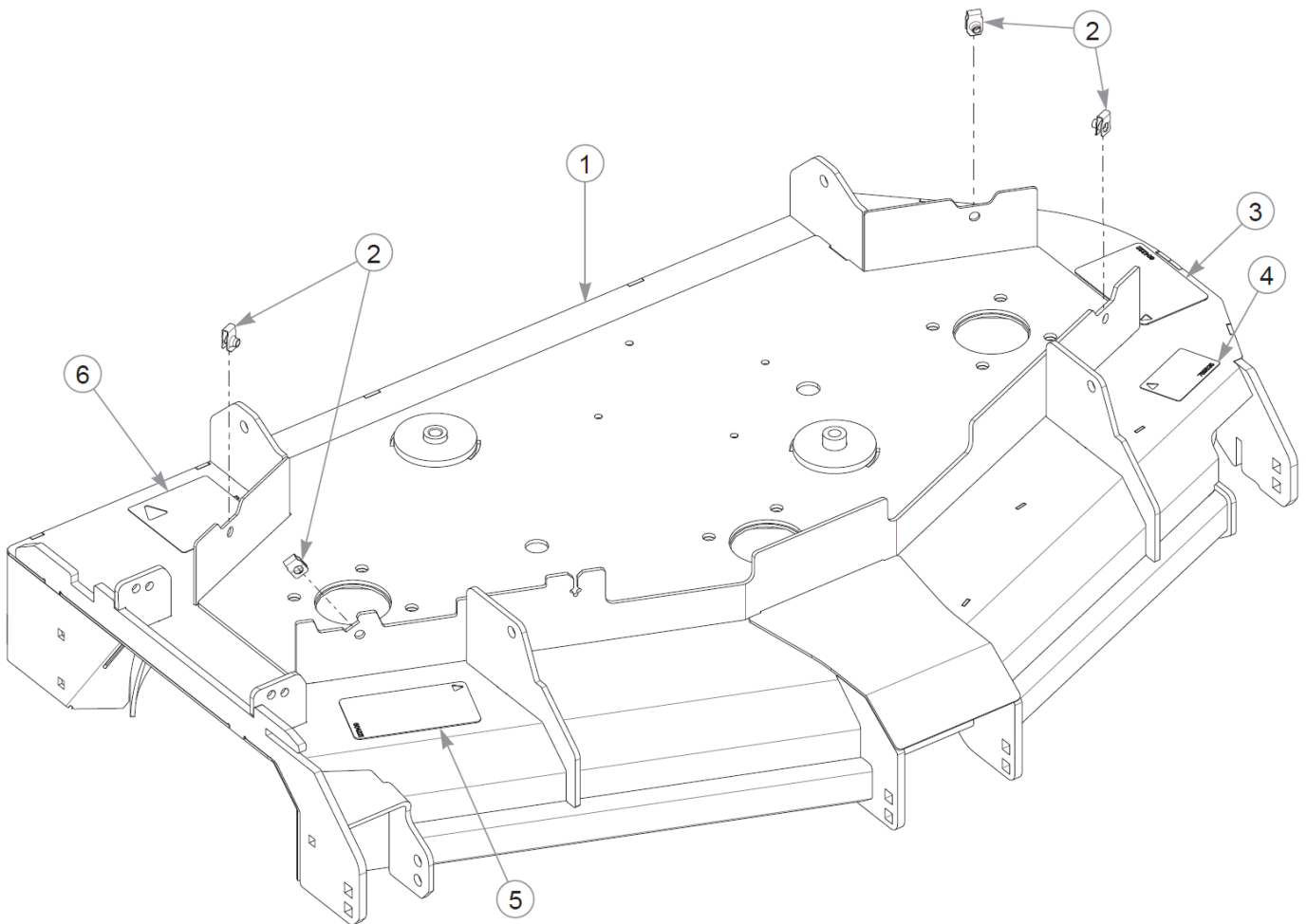
1. When performing service on the mower, disconnect the negative battery cable (black) and do not reconnect it to the battery until ready to start the engine.



Item	Part No.	Qty	Name
1	604241	1	WIRE HARNESS, ATZ/SZ
2	055947	4	CS .250-20X0.50 HX G5 ZY
3	768515	4	FW 0.281SAE
4	000430	1	WIRE TIE, SMALL/LONG
5	606466	1	DECAL, INSTR PANEL
6	553845	1	SVC, INSTR PANEL
7	034280	1	CS .312-18X0.750HXG5
8	768523	4	FW 0.343SAE
9	043570	3	CLIP - HOSE - SINGLE(FS)
10	034272	2	NT .312-18HXG5
11	000331	5	WIRE TIE, SMALL/SHORT
12	604307	1	MOUNT, PUSH BUTTON
13	036236	1	CS .312-18X1.000HXG5
14	776476	1	SWITCH, PTO 6201-321
15	606068	1	GAUGE, FUEL/HOURMETER
16	712257	1	INDICATOR LIGHT, RED(FS)
17	786657	1	CABLE, CHOKE
18	603523	1	KNOB
19	601098	2	CB 10-24 X .500 ZYNC
20	785808	1	KEY ASSEMBLY
21	045898	1	IGNITION SWITCH
22	059832	4	NT #10-24 HX NL ZN
23	604373	1	RELAY CONTROL MODULE
24	063198	2	CS #10-24X0.750FLKG5
25	603475	1	CABLE, THRTL 43"
26	704932	2	FW 0.219X.50X.05 ZY
27	114052	1	KIT, CLUTCH CONN. REP.
28	601047	1	HOLDER, FUSE

Comments for Page: Instrument Panel & Wire Harness

1. Part of the wire harness.
2. Part of the Battery Assembly.
3. Part of the Fuel Assembly.

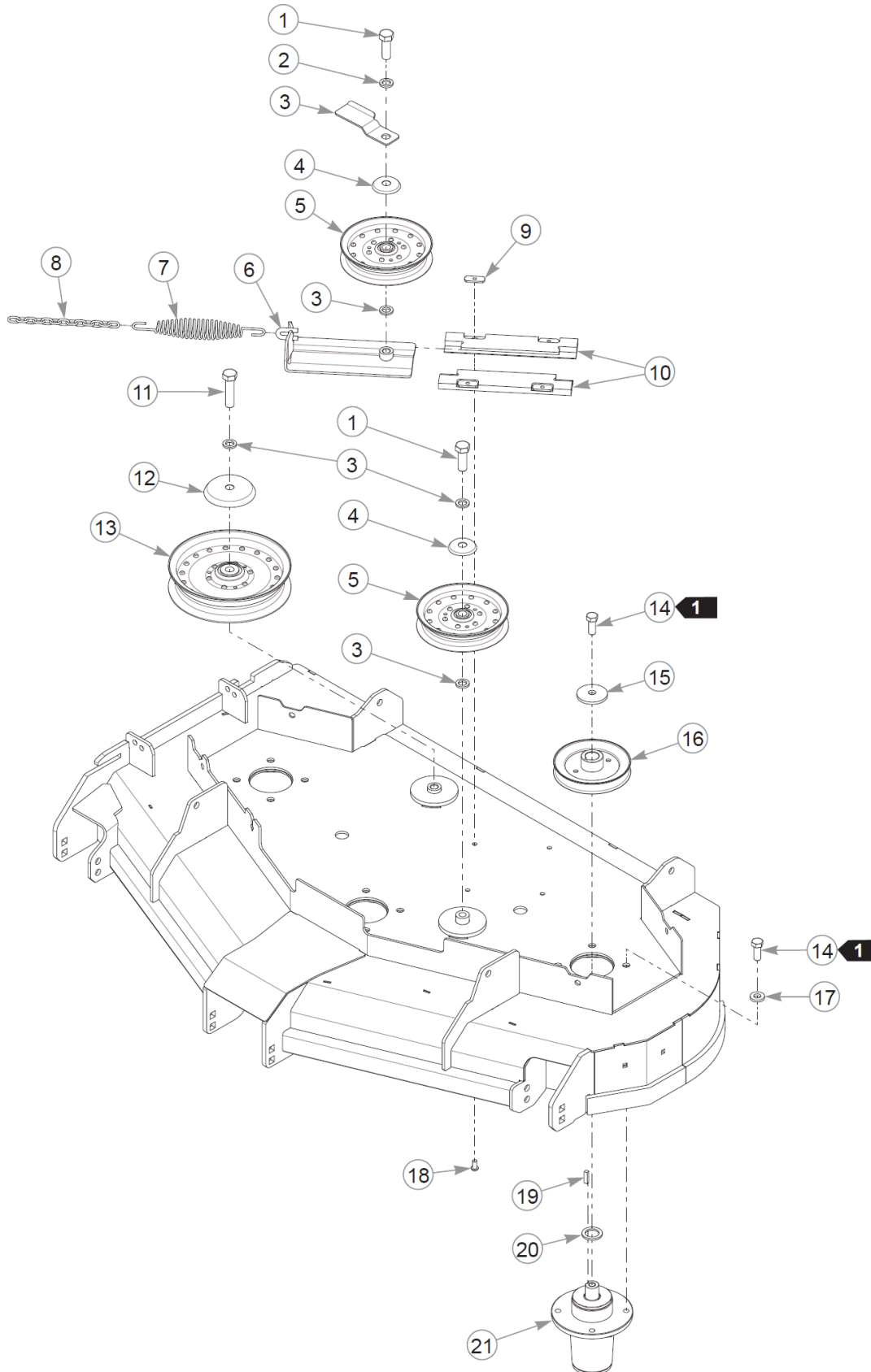


Service Deck

Item	Part No.	Qty	Name
1	553618	1	52" SERVICE DECK
2	601069	4	CN .312-18x.200 MAX THK
3	604222	1	DECAL, DANGER / OBJECTS
4	785535	1	DECAL, 52 DECK ID
5	604221	1	DECAL, DANGER / CHUTE
6	781419	1	DECAL, BELT ROUTING

Comments for Page: Service Deck

1. The deck includes the decals.

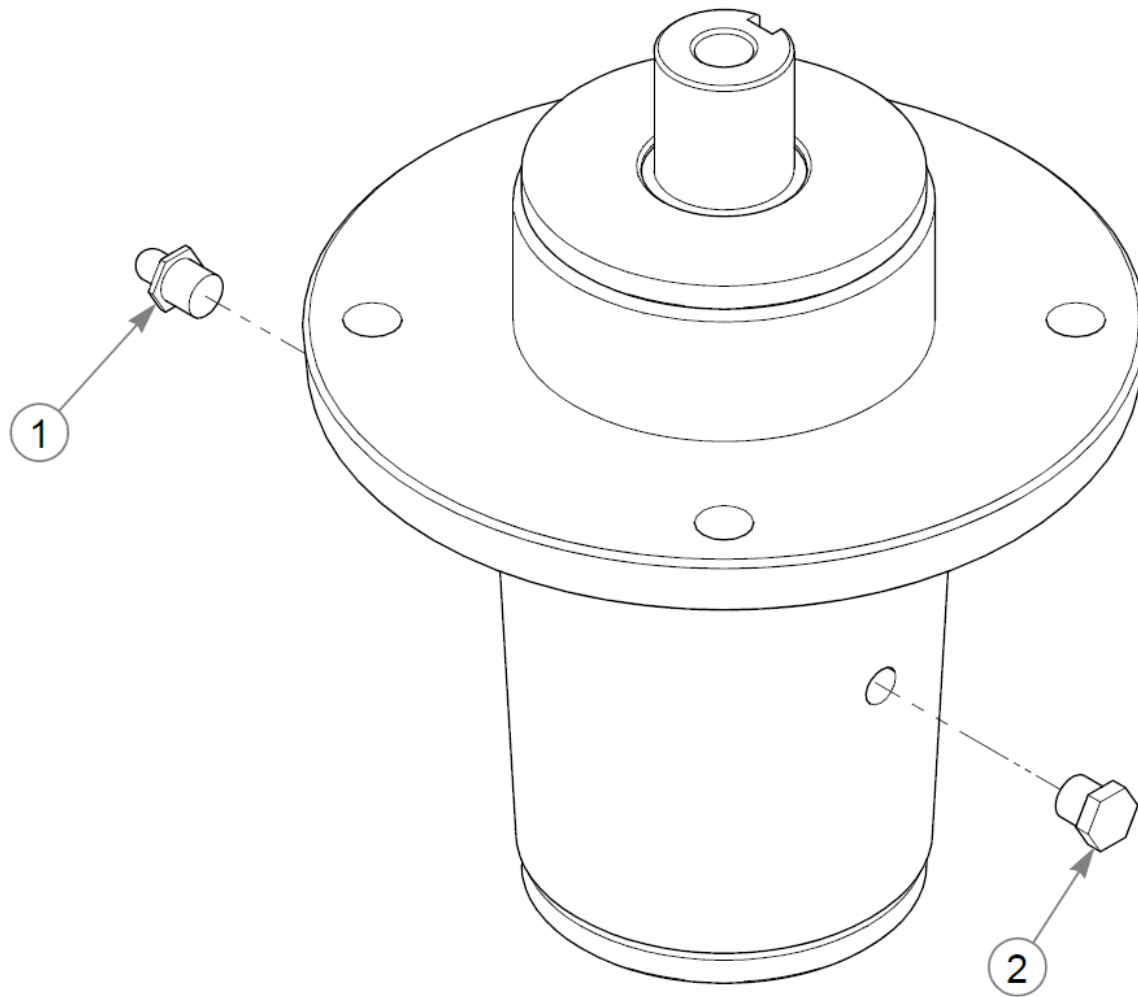


Deck Pulleys & Spindles

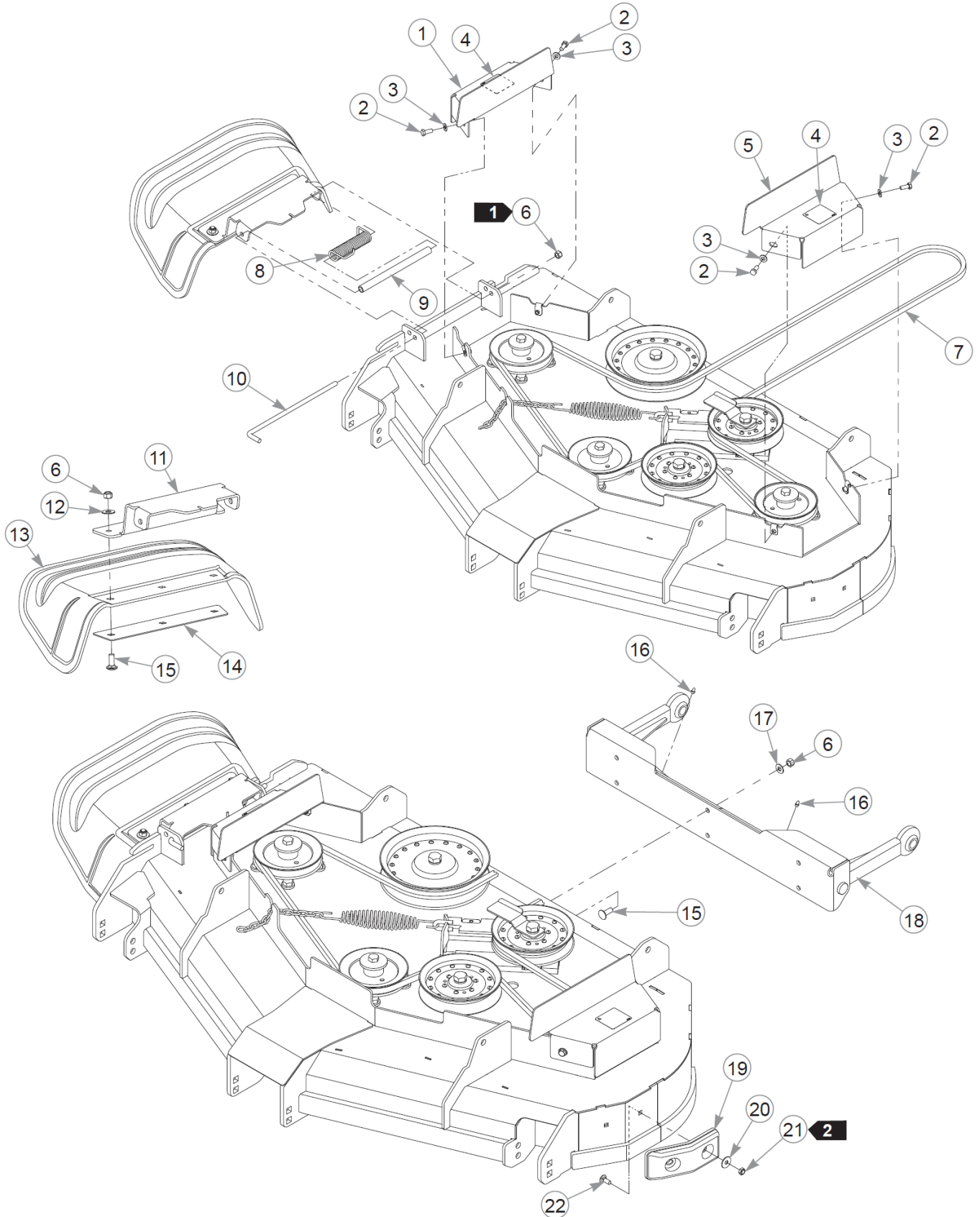
Item	Part No.	Qty	Name
1	025007	2	CS .62511X1.750HXG5
2	028118	5	FW 0.625X1.00X.13 ZY
3	606460	1	GUIDE, BELT
4	602935	2	DUST SHIELD, IDLER SM
5	602821	2	IDLER, 6.0" RIVETED
6	350884	1	SLIDE, DECK IDLER
7	781302	1	IDLER SPRING
8	259812	1	CHAIN, 13 LINK
9	603023	4	WN .312-18 ZN
10	602936	2	IDLER SLIDE, UHMW
11	025015	1	CS .625-11X2.500HXG5
12	602963	1	DUST SHIELD, IDLER LG
13	602838	1	IDLER, 8.0" RIVETED
14	705954	15	CS .500-13X1.25 HX G5 ZY
15	752386	3	CW .515X 2.25X .204 BLK
16	798967	3	PULLEY, B-SEC 5.44 EOD
17	767962	12	FW .531 x 1.063 x .175
18	603022	4	CS .312-18X.625 BH ZN
19	212472	3	KEY 1/4 SQ X 1.00 LG(FS)
20	045765	3	FW 1.030X1.50X.13 HD ZY
21	607407	3	SPINDLE ASSY, DUCTILE

Comments for Page: Deck Pulleys & Spindles

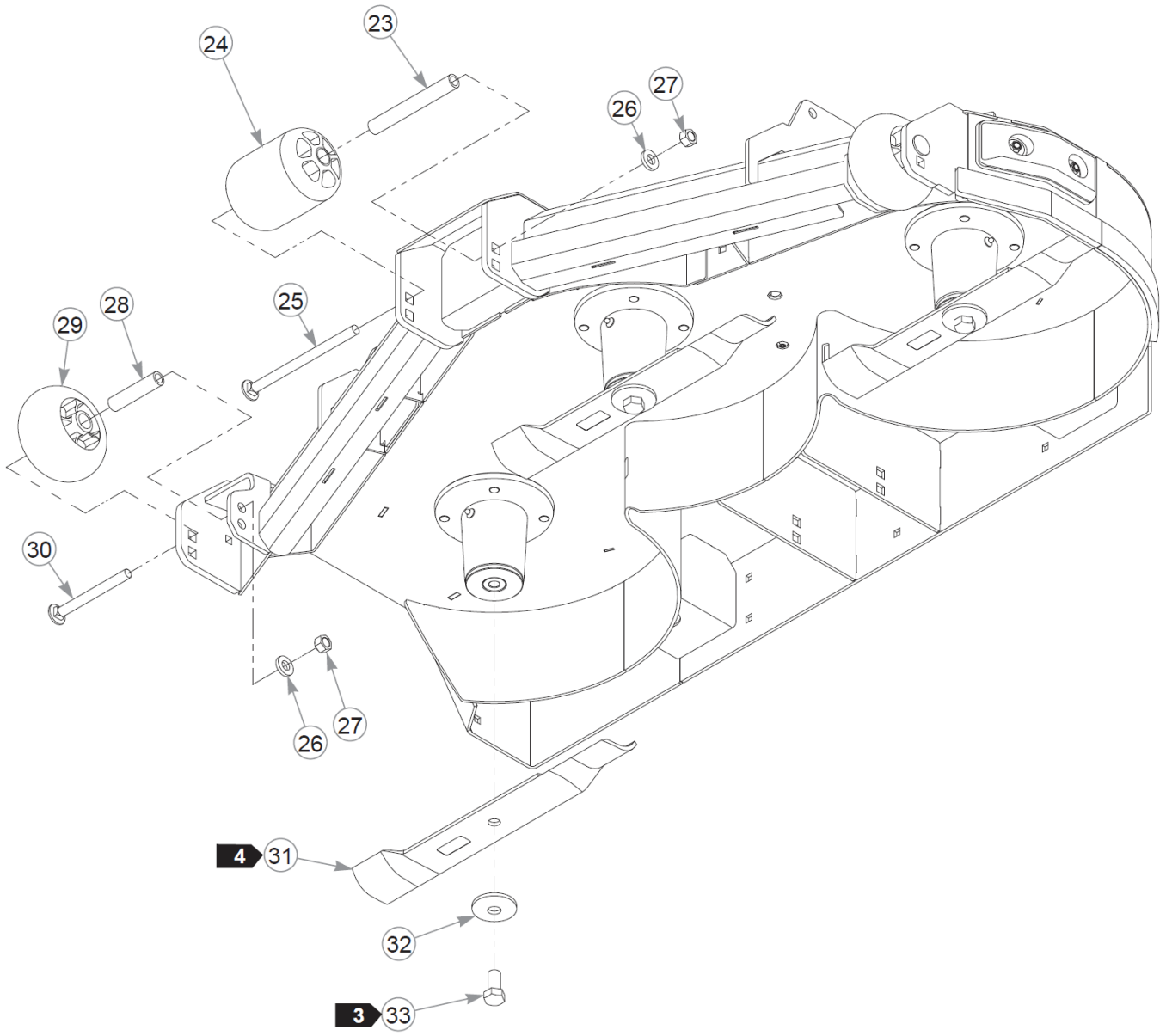
1. Torque to 86–99 N•m.



Item	Part No.	Qty	Name
1	607477	1	GREASE ZERK
2	607478	1	RELIEF FITTING



Item	Part No.	Qty	Name
1	553770	1	SVC, PULLEY COVER CE RS
2	034280	4	CS .312-18X0.750HXG5
3	768523	4	FW 0.343SAE
4	602562	2	DECAL, NO SERVICE
5	553769	1	SVC, PULLEY COVER CE LS
6	086660	10	NT .375-16NLG8
7	602077	1	DECK BELT
8	606192	1	SPRING, TORSION DISCHARG
9	606166	1	RETAINER, CHUTE SPRING
10	605936	1	PIN, CHUTE
11	123039	1	BRKT, DISCHARGE CHUTE
12	076422	3	FW 0.406X1.00X.06 ZY
13	605916	1	DISCHARGE CHUTE
14	122148	1	BRKT, CHUTE BOTTOM
15	025395	9	CB .375-16X 1.00 G5 ZNY
16	015495	2	GREASE FITTING STRAIGHT
17	767954	6	FW 0.379X.82X.06 HD ZY
18	124086	1	PUSHER, W/A
19	605376	1	DECK BUMPER
20	079210	2	FW 0.344X1.0X0.06 ZY
21	604251	2	NT .312-18 HXNL JAM G2ZN
22	016253	2	CB .312-18X .750 FUL ZN
23	602344	1	SPACER, ANTI- SCALP 5.73
24	602341	1	WHEEL, ANTI-SCALP
25	602338	1	CB .50-13 X 7.50 STD ZN
26	767962	3	FW .531 x 1.063 x .175
27	781567	3	NT .500-13NLG5
28	602345	2	SPACER, ANTI-SCALP 3.22
29	602263	2	WHEEL, ANTI-SCALP
30	607288	2	CB .50-13X4.75 STD ZN
31	787721	3	BLADE,17.86"-H-F-CW
Not Shown	794198	3	BLADE,17.86"-MUL-F-CW
Not Shown	785436	3	BLADE,17.86"-GAT-F-CW
32	782474	3	CW .678 X 2.250 X .187
33	781872	3	CS .625-11X1.250HXG5

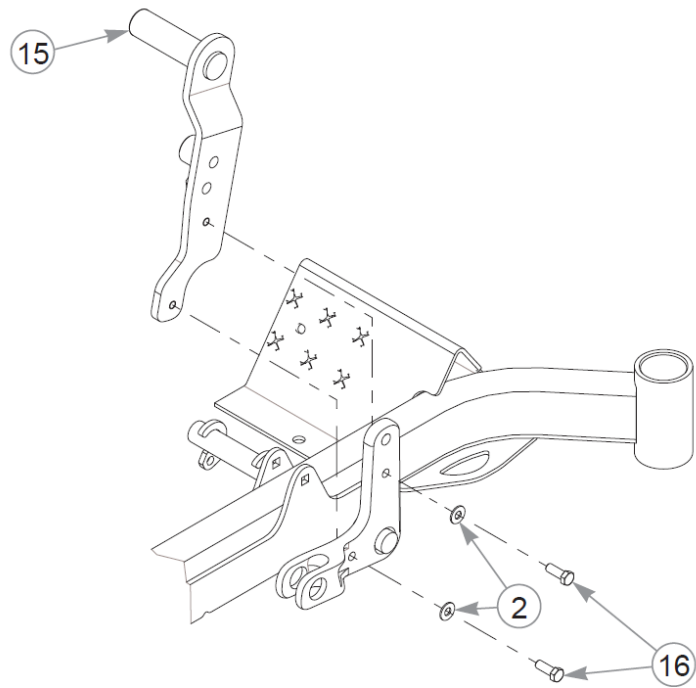
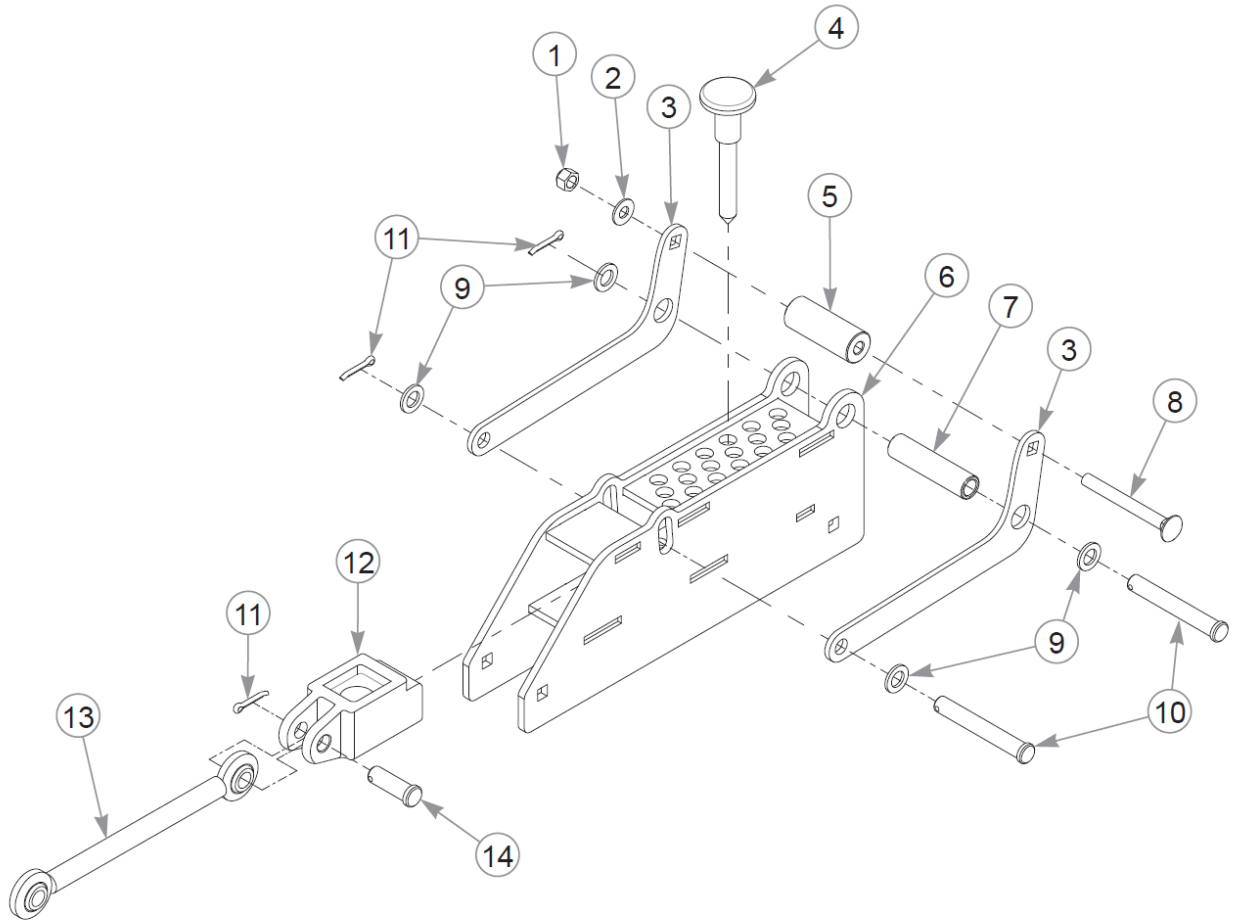


Deck, Discharge Chute, Belt, & Blades (Multi-Page)

52" X-ONE Parts Manual - 936740CE - HTX1TS052KAWFX850VC

Comments for Page: Deck, Discharge Chute, Belt, & Blades (Multi-Page)

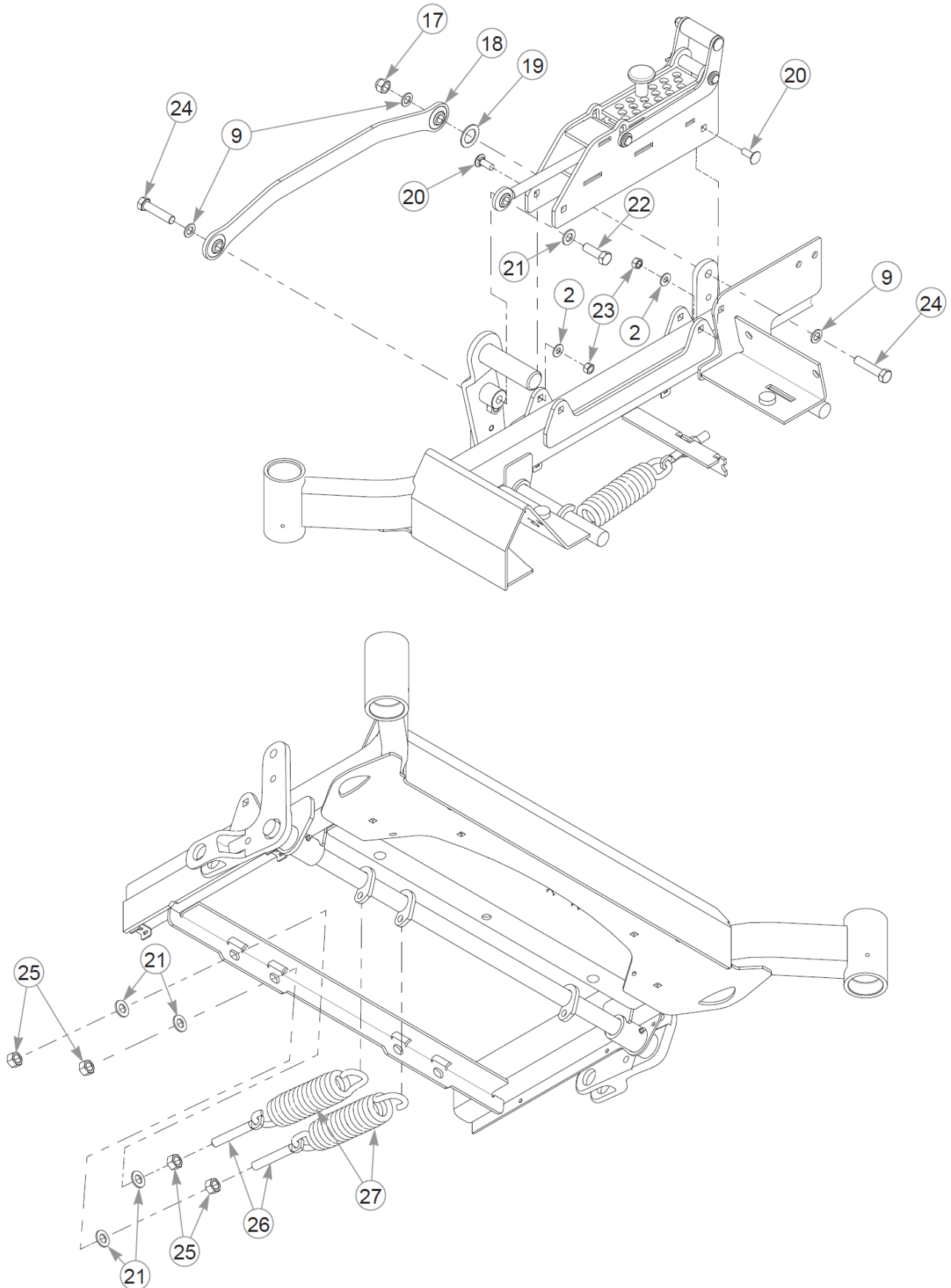
1. Do not torque; the discharge chute must pivot freely.
2. Torque to 4–8 N•m.
3. Torque to 160 N•m.
4. This blade is approved for use with Catcher 606045:
787721 BLADE, 17.86"-H-F-CW
5. The pulley covers include the decal.



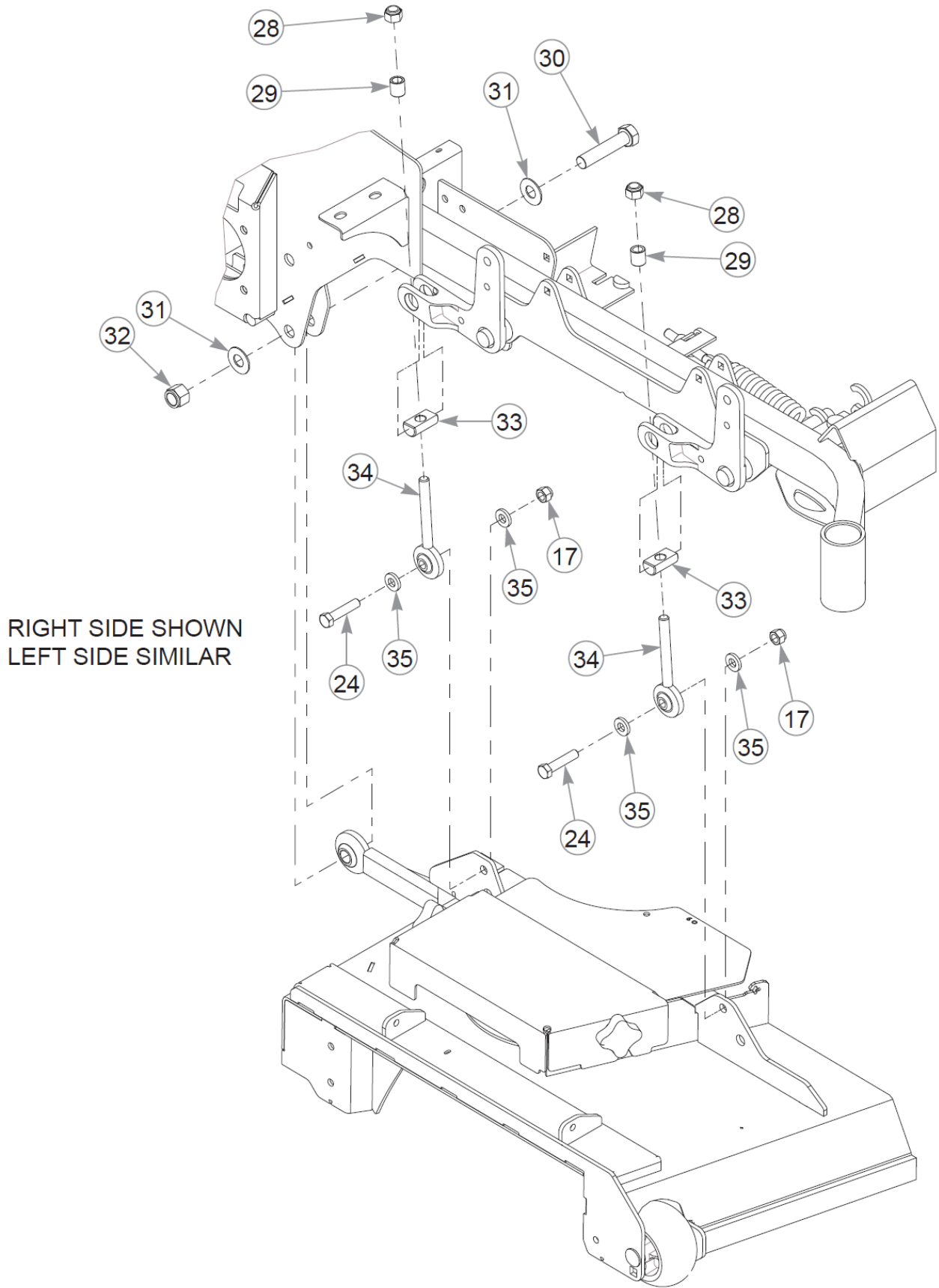
Deck Lift & Deck Height (Multi-Page)

52" X-ONE Parts Manual - 936740CE - HTX1TS052KAWFX850VC

Item	Part No.	Qty	Name
1	086660	1	NT .375-16NLG8
2	767954	7	FW 0.379X.82X.06 HD ZY
3	124361-4	2	LATCH HANDLE
4	606918	1	MAGNETIC PIN, 1/2 x 3.13
Not Shown		1	KIT, TOP PIN DECK HT
5	117489	1	SPACER, LATCH
6	124357-1	1	DECK HEIGHT W/A
7	604075	1	SPACER, CYLINDER
8	041848	1	CB .375-16X 3.500 FUL Z
9	718288	7	FW .516X.88X.09 ZY
10	025965	2	CE .500X3.50 .156X3.34
11	017251	3	CP .156DX1.000 LG HML Z
12	606895	1	SLIDER, DECK LIFT
13	122994	1	DECK HEIGHT LINK, W/A
14	068056	1	CE .500X1.50 .150X1.32
15	124291-1	1	PEDAL W/A
16	036244	2	CS .375-16X1.00 HX G5 ZY
17	781567	5	NT .500-13NLG5
18	122987	1	DECK LIFT LINK, W/A
19	122996	1	LINK SPACER
20	025395	4	CB .375-16X 1.00 G5 ZNY
21	004168	5	FW .531x1.00x.090 ZY
22	074252	1	CS .500-13X1.50 HX G5 ZY
23	054502	4	NT .375-16HXG5
24	761544	6	CS .500-13X2.250HXG8
25	008193	4	NT .500-13HXG5
26	606478	2	EB, .500-13X3.00 FULTHD
27	606454	2	SPRING, EXT 7.0 300LB/IN
28	606316	4	NT 0.563-18 NLGC
29	606292	4	DECK LEVEL SPACER
30	789115	2	CS .750-10X3.500HXG5
31	025296	4	FW .760X1.63X0.08 ZY
32	061101	2	NT .750-10 HX ZY NL GR B
33	606291	4	DECK LEVEL PIVOT
34	606290	4	W/A DECK LEVEL ROD END
35	767962	8	FW .531 x 1.063 x .175



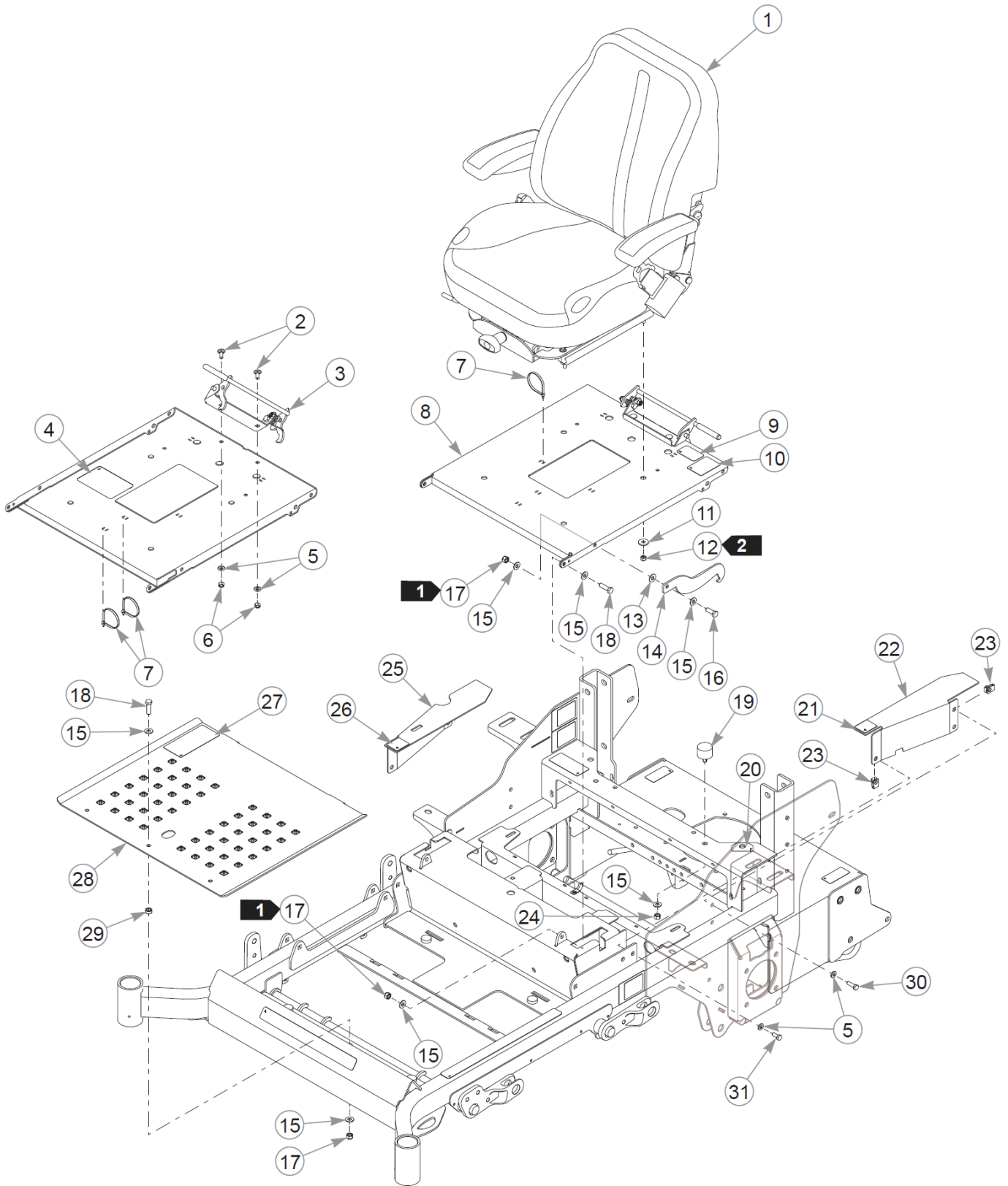
This page intentionally left blank



Deck Lift & Deck Height (Multi-Page)

Comments for Page: Deck Lift & Deck Height (Multi-Page)

1. 124548 includes items 3, 4, 6 & 12.



Item	Part No.	Qty	Name
1	607458	1	SEAT, SEATS INC 1110
2	016253	2	CB .312-18X .750 FUL ZN
3	605907	1	LATCH ASSEMBLY
4	601815	1	DECAL, BATTERY WARNINGS
5	768523	7	FW 0.343SAE
6	034272	2	NT .312-18HXG5
7	000331	3	WIRE TIE, SMALL/SHORT
8	555027	1	SVC, SEAT PAN
9	605688	1	DECAL, LEVEL FUEL FILL
10	785188	1	DECAL, Z ARMREST WARNING
11	712927	4	FW 0.344X1.00X.12 HD ZY
12	058776	4	NT .312-18NLG5
13	724716	1	WASHER, FIBER (FS)
14	350421	1	SEAT PAN STOP (PLATED)
15	767954	10	FW 0.379X.82X.06 HD ZY
16	036244	1	CS .375-16X1.00 HX G5 ZY
17	086660	4	NT .375-16NLG8
18	052860	3	CS .375-16X1.25 HX G5 ZY
19	601650	2	VIBRATION MOUNT 70DURO
20	791848	1	DECAL, FUEL INDICATOR- M
21	785139	1	DECAL, STEERING L.S.
22	550823	1	FRAME COVER LS, SERVICE
23	601069	5	CN .312-18x.200 MAX THK
24	054502	2	NT .375-16HXG5
25	550824	1	FRAME COVER RS, SERVICE
26	785220	1	DECAL, STEERING R.S.
27	607023	1	DECAL, DECK HEIGHT CE
28	554563	1	SVC, FLOOR PAN
29	118900	1	SPACER, DECK LIFT LINK
30	036236	3	CS .312-18X1.000HXG5
31	034280	2	CS .312-18X0.750HXG5

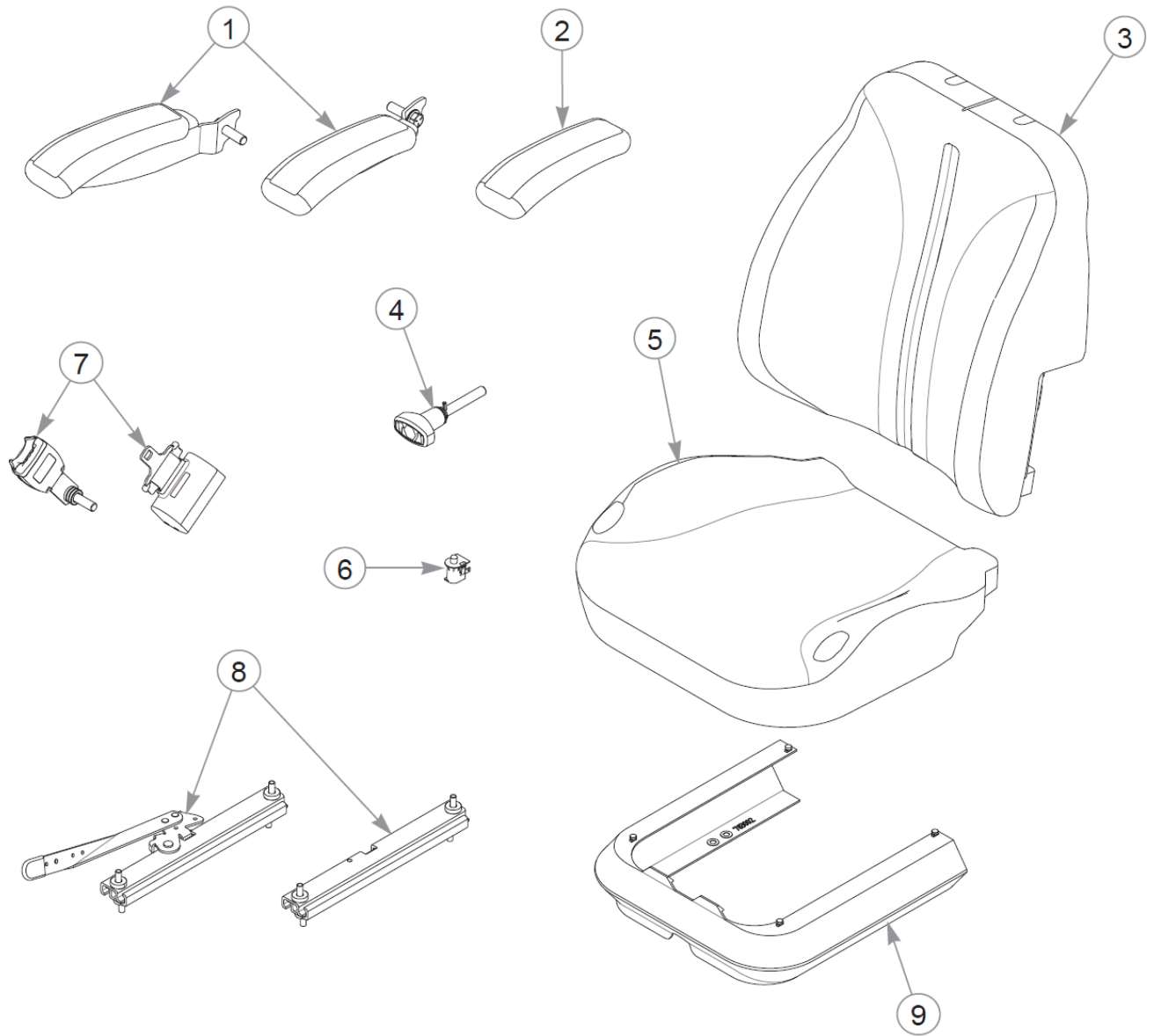
Comments for Page: Seat

1. Do not torque; the seat pan and seat pan stop must pivot freely.
2. Torque to 23 N•m.

Seat

3. The seat pan includes decals and installation kit.
4. The LS and RS frame covers include decals.

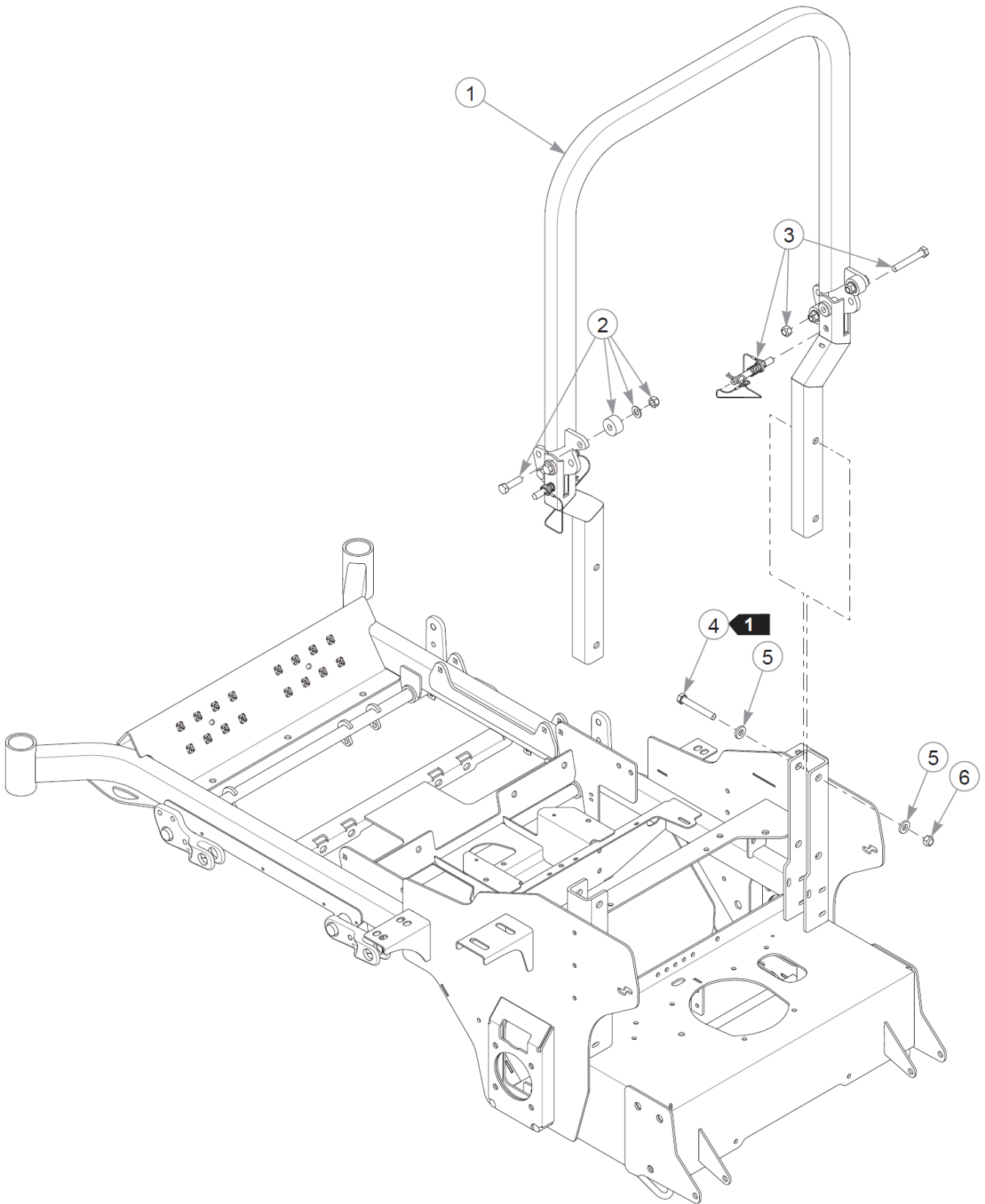
This page intentionally left blank



Seat Service Parts - 607458

52" X-ONE Parts Manual - 936740CE - HTX1TS052KAWFX850VC

Item	Part No.	Qty	Name
1	606080	1	SVC, ARMREST SET
2	606081	1	SVC, ARM PADS
3	607216	1	SVC, SEAT BACK COVER
4	607214	1	SVC RIDE ADJUST KNOB
5	607228	1	SVC, SEAT CUSHION COVER
6	606082	1	SVC, OPS
7	607461	1	SVC, SEAT BELT KIT
8	607459	1	SVC, SEAT TRACK KIT
9	607460	1	SVC, RUBBER BELLOW



ROPS

Item	Part No.	Qty	Name
1	605639	1	ROPS, COMPLETE
2	605731	2	KIT, POLY STOP (SET)
3	605638	1	ROPS HARDWARE KIT
4	061812	4	CS .500-13X3.50 HX G5 ZY
5	767962	8	FW .531 x 1.063 x .175
6	023317	4	NT .500-13UNTG8

Comments for Page: ROPS

1. Torque to 99 N•m.